

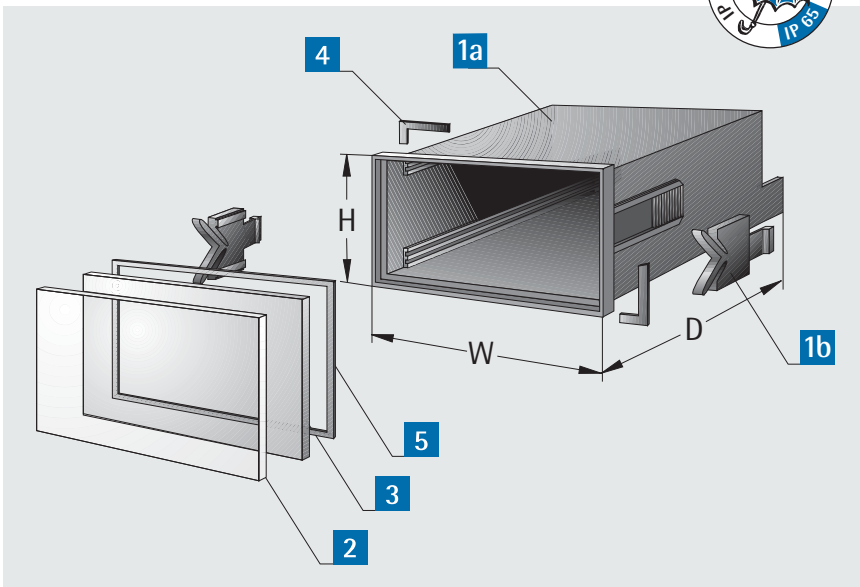
norm-case

- non-reflecting filter screen, can be clipped on for accurate fitting
- front panel can be clipped on for accurate fitting
- integrated PCB cover on the rear panel
- space for a second PCB
- quick mount via plastic clips that lock into place
- stackable both horizontally and vertically (e.g. in a grid system)
- installation in panel with thickness of up to 50 mm possible
- case and accessories can be recycled as they are mono-materials and contain no metal parts

Material:

Case: Cycloyl C2800
 listed acc. to UL 94
 Filter screen: Plexiglas® 7N red
 listed acc. to UL 94 HB
 Front panel: Terluran GP-22
 listed acc. to UL 94 HB

Depending on the surface of the panel, a protection of IP 65 can be achieved by using the high-quality moulded sealings marked with (*).



Delivery

Item	Pc.	Description
1a	1	Case
1b	2	Fixing clamps

W x H x D mm	1 Case	2 Filter screen	3 Front panel	4 Sealing between case and panel	5 Sealing between front panel / filter screen and case	6 Rear panel closed	Fixing clamp
48 x 24 x 90,5	448-441	448-452-09	448-451-01	448-445-01*	448-445-02	-	448-100-10
48 x 48 x 130,5	448-121-00	448-132-09	448-131-01	448-135-01	448-135-02	-	448-200-00
72 x 24 x 96,5	448-421-00	448-432-09	-	448-425-01*	448-425-02	-	448-100-10
72 x 36 x 72,0	448-062-00	448-052-09	448-051-01	448-055-01	448-055-02	448-053-01	448-100-10
72 x 36 x 96,5	448-041-00	448-052-09	448-051-01	448-055-01	448-055-02	448-053-01	448-100-10
96 x 24 x 130,5	448-102-00	448-112-09	448-111-01	448-115-01*	448-115-02	-	448-100-10
96 x 48 x 122,0	448-162	448-162-09	448-162-01	448-175-01	448-175-02	-	448-200-00
96 x 48 x 130,5	448-163-00	448-162-09	448-162-01	448-175-01	448-175-02	-	448-200-00



norm-case 48 x 24 x 82 mm

- protection system IP 65 due to integrated front panel with recess for foil and sealing (please order sealing separately!)
- safe connection of enclosure and rear panel due to moulded-in threaded inserts M2
- registered design of quick fixing to control panel
- enclosures can easily be customised with cut-outs, ventilation slots or displays by adaption of the tooling

Material:

Noryl SE1 GFN1
listed acc. to UL 94 V-1

Finish:

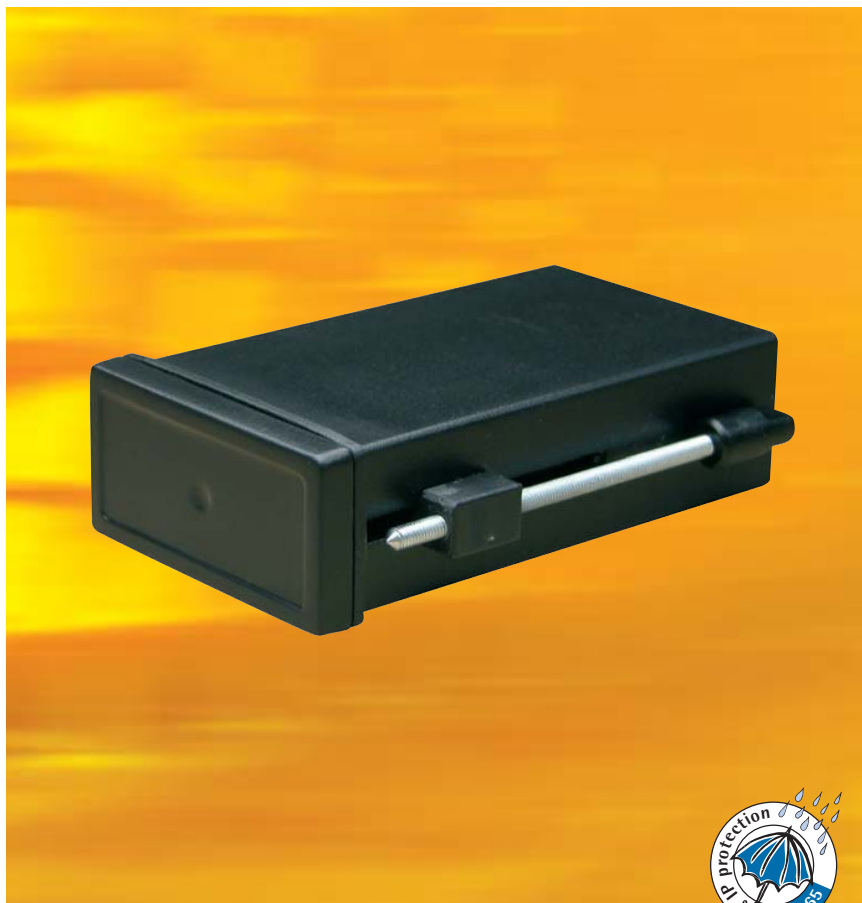
RAL 9005 black

Special depths, colours, individual modifications or foil keypads available on request!

Depending on the surface of the panel, a protection of IP 65 can be achieved by using the high-quality moulded sealings marked with (*).

Delivery

Item	Pc.	Description
1	1	Case
2	2	Hook-in fixing



Case	Rear panel	Moulded sealing between case and panel
448-442-00	448-453-01	448-445-05*