



Cabinet system **apra Exterior**



Cabinet



Interior fittings



Double cabinet

Protected regardless of wind and weather!
Qualified for interior or exterior use

Protection system IP 55

... the perfect shell for valuable electronics





Example for interior fittings



Cabinet



Double cabinet

- Optimised for use in rough environments of mechanical and plant engineering
- Corrosion-resistant aluminium construction
- Other sizes on request
- Double-walled enclosure corpus protects against insolation and guarantees a splash and dust- proof heat dissipation by convection
- Stable and solid welded construction from powder painted aluminium with individually sealed contact areas
- Compact top construction with overhang, reinforcing bars and dissipation ducts
- Compact top construction with overhang, reinforcing bars and dissipation ducts
- Front door powder painted RAL 7035 light grey, 3-point-locking, turning lever with DIN profile cylinder, door adjustment at 90° opening angle

- Door stop left or right possible (except with double cabinet)
- Mounting accessories for wall or bottom fixing
- Mounting possibilities with mounting plate or frame from aluminium extrusions, e.g. LSC wiring systems from Lütze

Finish:

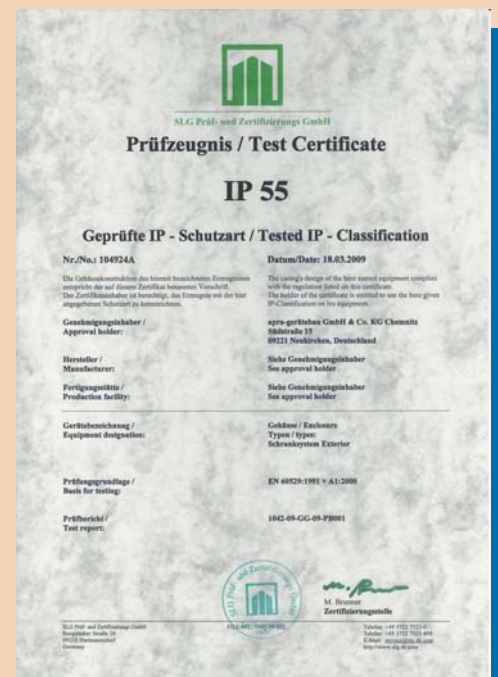
enclosure:
RAL 7035 light grey,
roof:
RAL 4008 signal purple
(other colours possible)

Material: aluminium sheet

Delivery: assembled

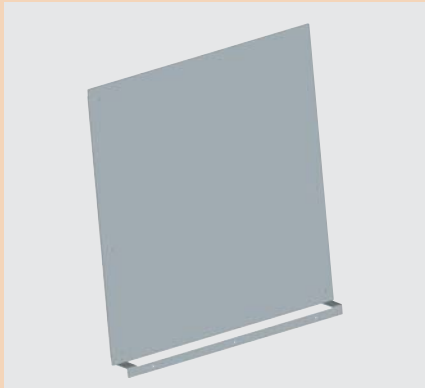
Protection system:

IP 55 acc. To EN 60529:91 + A 1:00





Mounting plate



- With reinforcing bars at the rear side and fixing adaptors for stiffening plate

Finish:

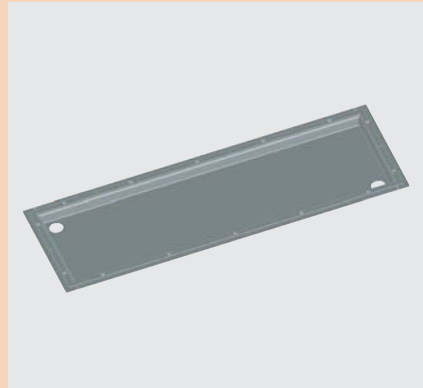
RAL 7035 light grey

Material: aluminium

Order no.

190-205-00

Cable entry plate, closed type



- With 2 de-hydrating lugs

Finish:

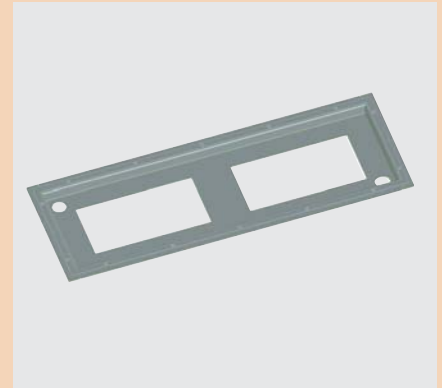
RAL 7035 light grey

Material: aluminium

Order no.

190-206-00

Cable entry plate for 2 x ROXTEC CF 32



- With 2 de-hydrating lugs

Finish:

RAL 7035 light grey

Material: aluminium

Order no.

190-206-10

Tilting device for Lütze frame



- Steel with belt strap and fixing to brace tilted frame

Finish:

RAL 7035 light grey

Order no.

190-207-00

Screw kit



- For wall or bottom fixing
- Consisting of 4 hexagon socket screws M 10 x 25 and 4 locking washers M 4 (self-impeding)

Order no.

190-208-00



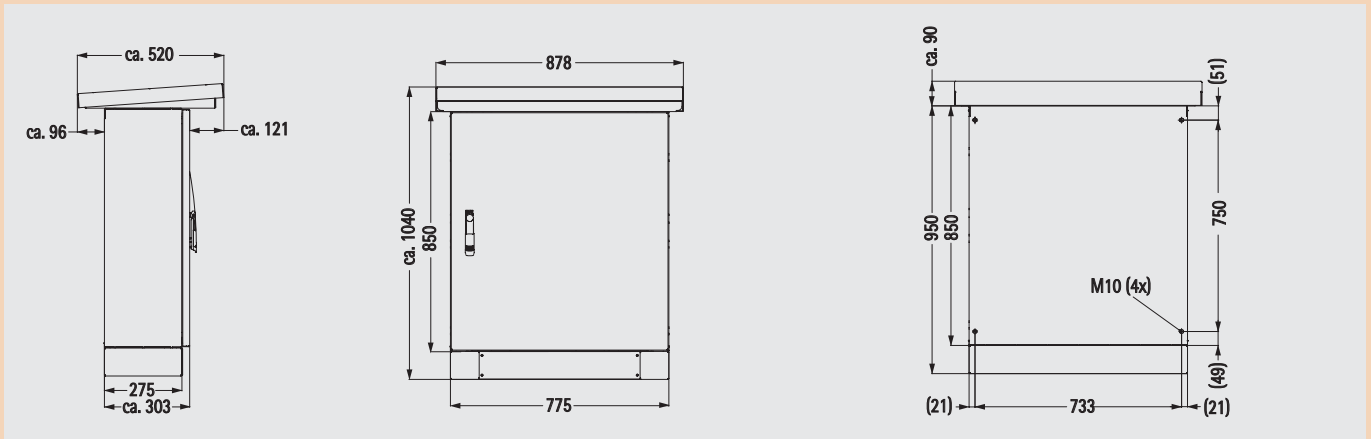
apra
gerätebau

- Display enclosures
- Operation and information terminals
- 19" server plug-in units
- IPC enclosures
- Customised enclosure solutions

The
apra-gerätebau-team
of experienced designers
will be pleased to
support you!



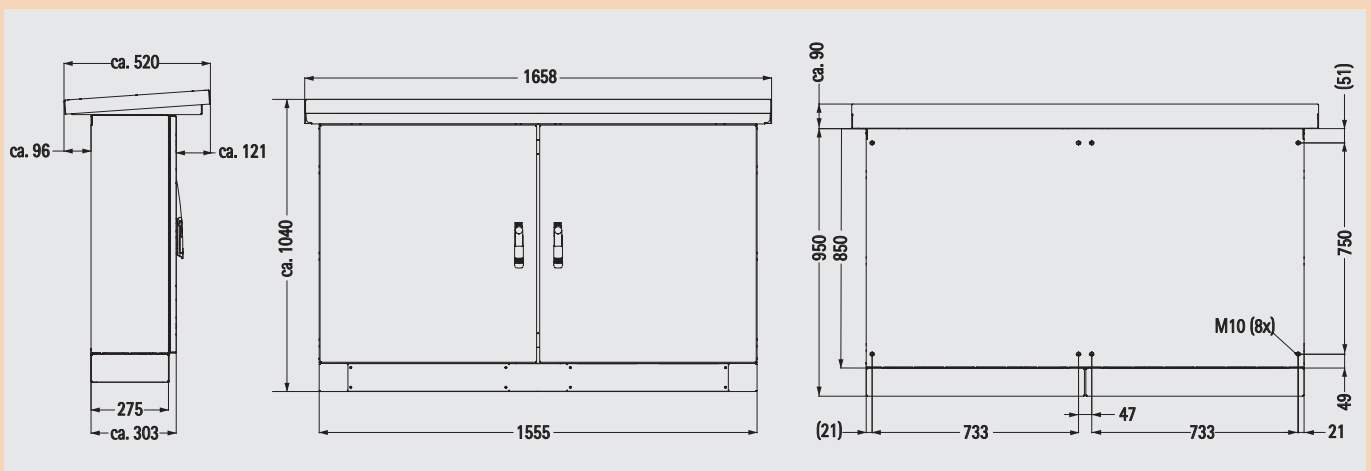
Cabinet system single type



Order data

Description	Order no.
Single type cabinet, door hinge right	190-200-00
Single type cabinet, door hinge left	190-200-50

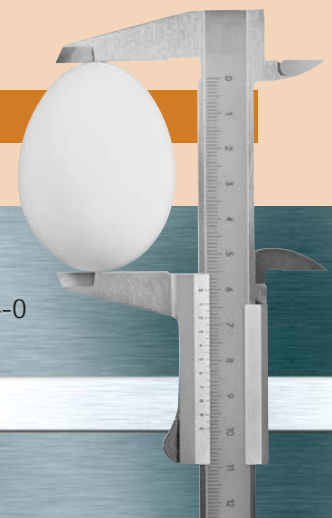
Cabinet system double type (individual slots for middle partition plate possible)



Order data

Description	Order no.
Double type cabinet	190-210-00

Further sizes and colours available on request!



apra-gerätebau GmbH & Co. KG Chemnitz

Südstraße 15 · Gewerbegebiet Süd · D-09221 Neukirchen · Phone: +49 371 28124-0

Fax: 28124-20 · www.geraetebau.apra.de · vertrieb@geraetebau.apra.de

... the perfect shell for valuable electronics