



The enclosure for  
mobile application

**apraLITE**



**19" enclosure system apraLITE**

- light, practical aluminium enclosure
- side flip-up handles standard
- protection system IP 30/20
- 1/2 19" version available
- dismantlable
- quick assembly using few screws
- installation dimensions acc. IEC 297-1

19" enclosure system 179 apraLITE is ideal for mobile use. The light construction and built-in flip-up handles allow easy transportation of this enclosure. Only a few screws are used so, it can be assembled and dismantled quickly.



## Specifications

### Application:

19" plug-in units, shelves and 19" subracks can be installed in the enclosure.

### Construction:

The enclosure has a simple construction based on side panels with built-in vertical mountings and top and bottom covers that can be assembled quickly.

**Finish:** RAL 7035 light grey

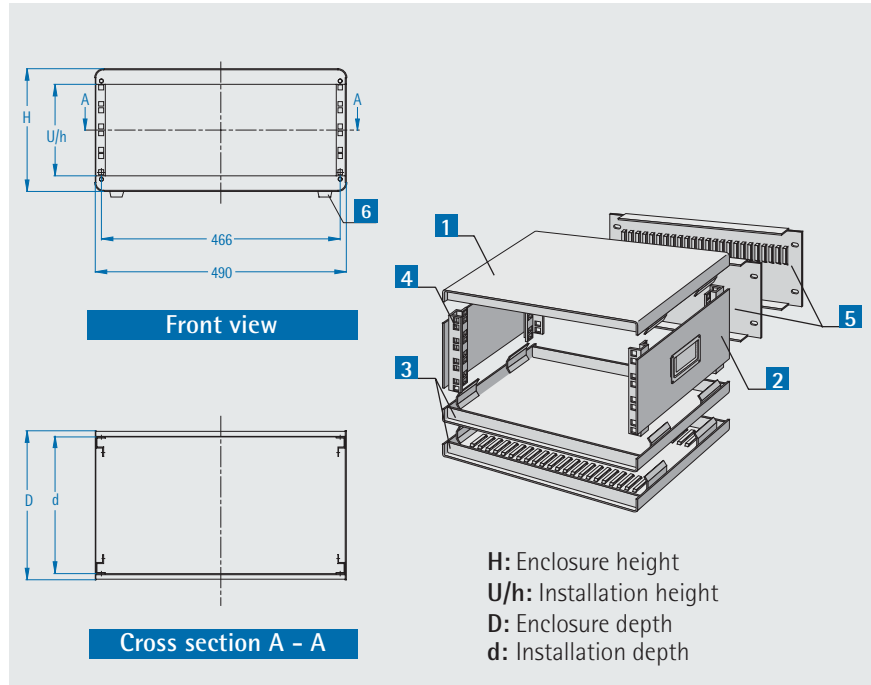
### Protection system:

IP 30: solid  
IP 20: ventilated

### Standards:

Installation dimensions acc. IEC 297-1

**Delivery:** not assembled



## Order information

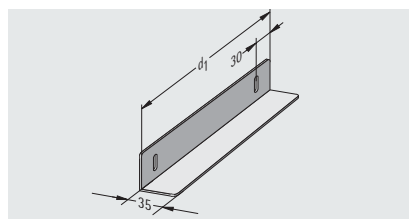
Installation height U	h mm	Enclosure height H mm	19" enclosure, ventilated in rear panel and bottom panel			19" enclosure, solid			1/2 19" enclosure, solid	
			d=270 mm D=290 mm	d=370 mm D=390 mm	d=470 mm D=490 mm	d=270 mm D=290 mm	d=370 mm D=390 mm	d=470 mm D=490 mm	d=270 mm D=290 mm	d=370 mm D=390 mm
3	132,5	194,5	179-283	179-383	179-483	179-223	179-323	179-423	179-823	179-923
4	177	239	179-284	179-384	179-484	179-224	179-324	179-424	179-824	179-924
5	221,5	283,5	179-285	179-385	179-485	179-225	179-325	179-425	179-825	179-925
6	266	328	179-286	179-386	179-486	179-226	179-326	179-426	179-826	179-926
9	399	461	179-289	179-389	179-489	179-229	179-329	179-429	179-829	179-929
12	534	596	179-292	179-392	179-492	179-232	179-332	179-432	-	-
15	668	730	179-295	179-395	179-495	179-235	179-335	179-435	-	-
18	801	863	179-298	179-398	179-498	179-238	179-338	179-438	-	-

## Included in delivery

Item	Pc.	Description
1	1	Top panel
2	2	Side panels with handle
3	1	Bottom panel (ventilated/solid)
4	4	Vertical mountings (integrated in side panel)
5	1	Rear panel (ventilated/solid)
6	4	Enclosure feet
7		Assembly material

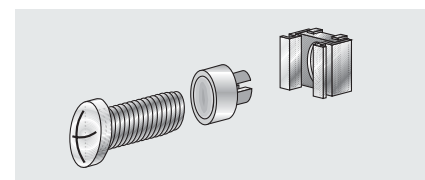
## Accessories

### Sliding rails



Description	Install. depth d1 mm	Part no. (pair)
for D=290 mm	240	179-006
for D=390 mm	340	179-007
for D=490 mm	440	179-008

### Screw set M 5 (50-fold)



- 50 screws, M5 x 12
- 50 captive nuts, M5-8
- 50 decorative washers, M5 with collar

Part no. (set)
630-991