



### 19" packaging system VME 3 U, horizontal

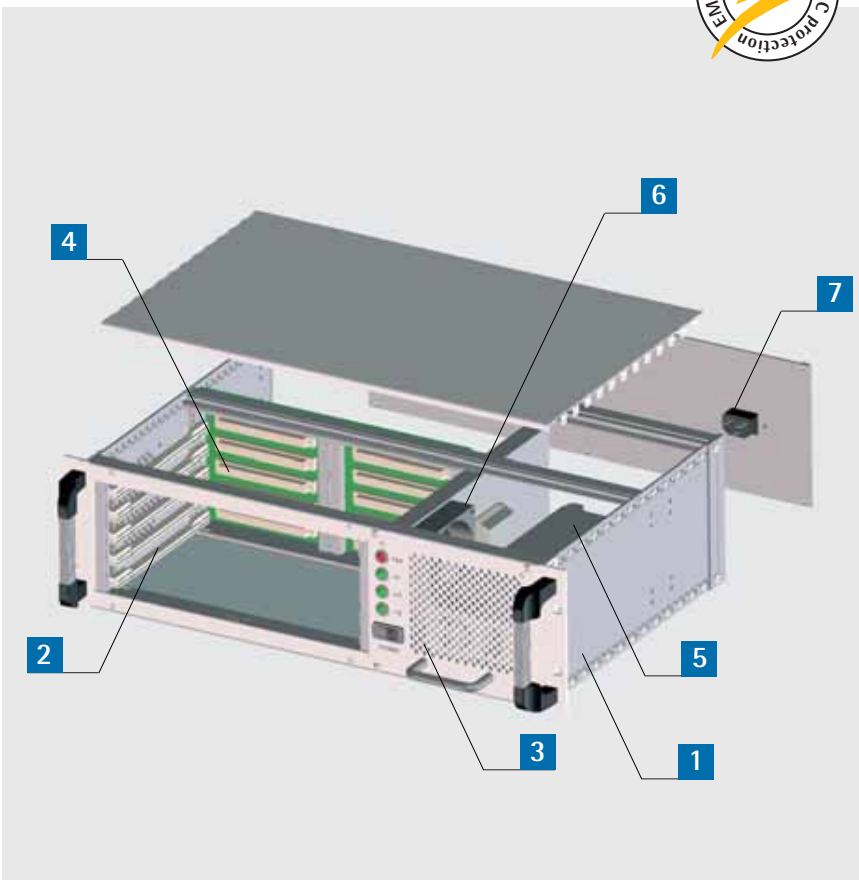
- EMC-shielded VME-system integrated in a 19"-subrack
- designed for horizontal board assembly with up to five VME boards 6U, 160 mm depth
- 6 U, 5 Slot VME backplane J1/J2
- Open Frame power supply 300 W, wide range input and PFC
- integrated LED display module with DC operating voltages, fan alarm and on / off switch
- active heat dissipation of the boards via convection from the front side to the left side

**Dimensions (H x W x D):**  
132,5 mm x 482,6 mm x 296 mm

**Delivery:**  
completely assembled and wired

#### Included in Delivery

Item	Pc.	Description
1	1	19"-subrack 245, EMC-shielded, covered rear side, with handles
2	1	horizontal expansion kit 6 U, 20 HP including card guides with ESD clips
3	1	perforated EMC front panel for air convection with integrated LED display module and on / off switch
4	1	6U, 5 Slot VME backplane J1/J2, automatic active / manual Daisy chain, active / passive termination
5	1	Open Frame power supply 300 W, wide range input 90-264 V, 47-63 Hz +5 V / 35 A, +12 V / 10 A, -12 V / 10 A, EN, UL, CSA, CE, EN 61000-3-2 (PFC)
6	1	DC fan 119 x 119 mm, 12 V, 82,3 cfm, 38 dB(A)
7	1	IEC AC socket with line filter
8	1	AC and DC cable harness (without fig.)



**Note:**

- Also available as VME64x system.
- Depending on your requirements, we will design a customized cooling solution.
- Please ask us for other dimensions or your customized system.

#### Order information

Part no.
24-5931-60



## 19" packaging system VME 7 U, vertical

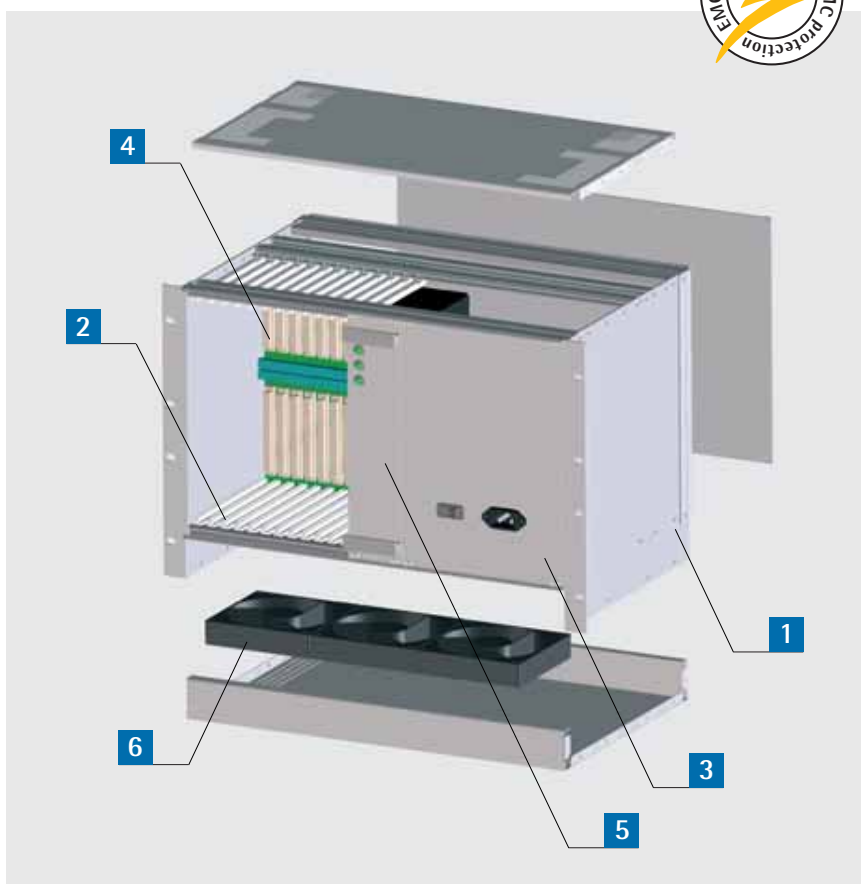
- EMC-shielded VME-system integrated in a 19"-subrack
- designed for up to twelve VME boards 6 U, 160 mm depth
- 6 U, 12 Slot VME backplane J1/J2
- plug-in power supply 6 U, 12 HP, 300 W
- integrated LED display module with DC operating voltages
- active heat dissipation of the boards via convection from bottom to top

**Dimensions (H x W x D):**  
310,3 mm x 482,6 mm x 300 mm

**Delivery:**  
completely assembled and wired

### Included in Delivery

Item	Pc.	Description
1	1	19"-subrack 245, EMC-shielded, covered rear side
2	1	vertical expansion kit 6 U, 12 slots including card guides with ESD clips
3	1	EMC front panel 36 HP including IEC AC socket with line filter and on / off switch
4	1	6U, 12 Slot VME backplane J1/J2, automatic active / manual Daisy chain, active / passive termination
5	1	plug-in power supply 6 U, 12 HP, 300 Watt +5 V / 35 A, +12 V / 6 A, -12 V / 2 A EN, UL, CSA, CE
6	3	DC fan 119 x119 mm, 12 V, 82,3 cfm, 38 dB(A)
7	1	AC and DC cable harness (without fig.)



### Order information

Part no.
24-5971-60

**Note:**

- Also available as VME64x system.
- Depending on your requirements, we will design a customized cooling solution.
- Please ask us for other dimensions or your customized system.