



The tailor-made enclosure

TAREX



Unique shapes
and colours

Suggested designs



TAREX small case

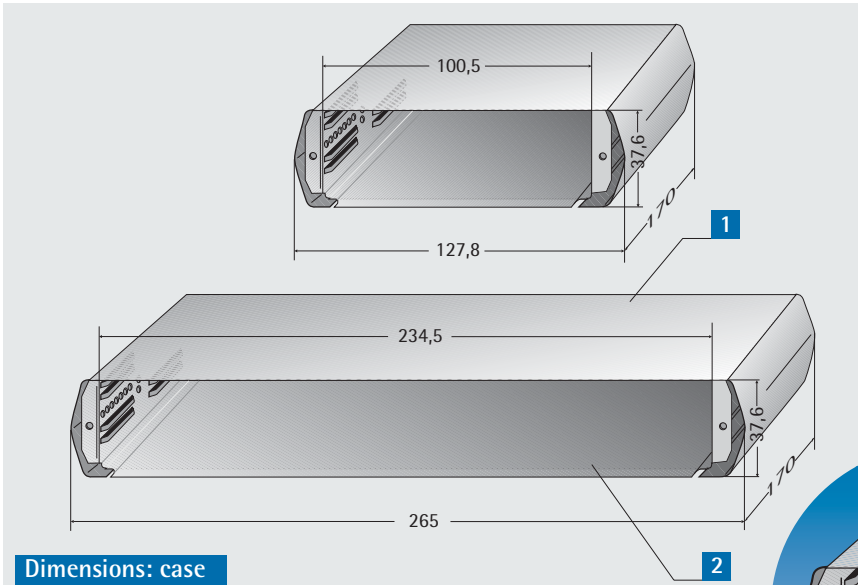
The Tarex small case allows you to implement your corporate design at a very favourable price.

The customised enclosure frame helps your case stand out from the usual standard products. You choose the shape and colour and provide us with a drawing. We take care of the rest.

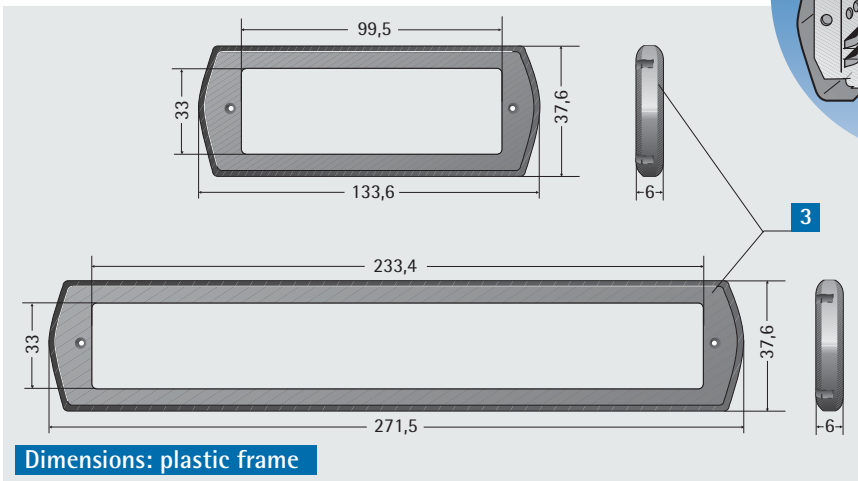
- customised design according to your specifications
- reasonable price
- ventilated or solid
- protection system: IP 40/20



Specifications



Dimensions: case



Dimensions: plastic frame

Application:

Basic case for 2 eurocards
100 mm x 160 mm, 2 double eurocards
or customised electronics

Finish:

RAL 7035 light grey
Frame: plastic, black

Protection system:

solid: IP 40
ventilated: IP 20

Delivery: not assembled

Included in delivery

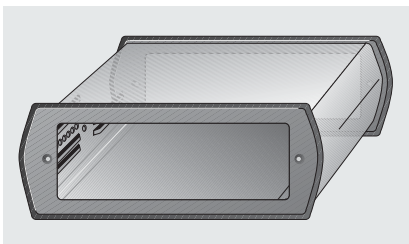
Item	Pc.	Description
1	1	Case shell
2	1	Bottom panel
3	2	Frame
4		Assembly material

Note:

Please order rear panel and front panels separately. Customised treatments possible.

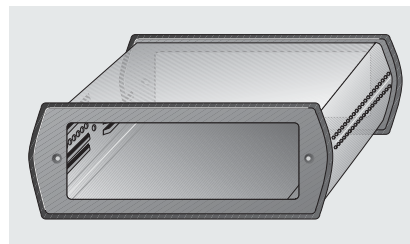
Order information

Case, solid



For PCB dimensions mm	Part no.
100 x 160	41-9200-00
233,35 x 160	41-9210-00

Case, ventilated



For PCB dimensions mm	Part no.
100 x 160	41-9201-00
233,35 x 160	41-9211-00

Rear panel/front panel



For PCB dimensions mm	Part no.
100 x 160	41-9200-10
233,35 x 160	41-9210-10