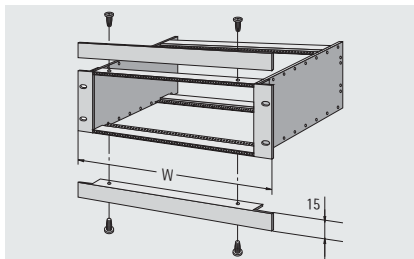




Cover bracket

- for subbracks in control panels, bracket 15 x 15 x 2
- bracket overlap the cut-out in a control panel



| HP | Width W mm | Part no. (1 piece) |
|----|------------|--------------------|
| 84 | 482,6 | 240-111 |
| 42 | 269,4 | 240-112 |

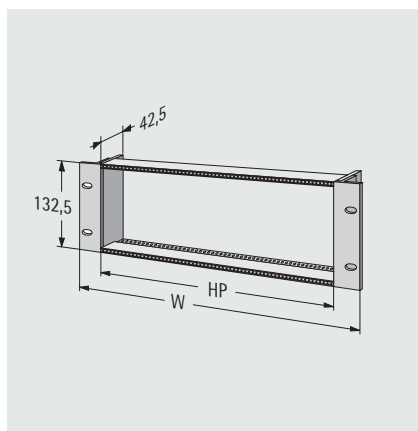
Note: For the installation of the mounting brackets, additional M3 threads need to be added in the front module rails. The module rail 241-113 (84 HP) can be used alternatively.

Frame, 3 U

- single row with 2 threaded inserts

Included in delivery

| Item | Pc. | Description |
|------|-----|-------------------------|
| 1 | 2 | Front bracket |
| 2 | 2 | Module rails, chromated |
| 3 | 2 | Side pieces |
| 4 | 2 | Threaded inserts |
| 5 | | Assembly material |



| HP | Width (W) mm | Part no. |
|----|--------------|----------|
| 84 | 482,6 | 242-901 |
| 42 | 269,4 | 242-911 |

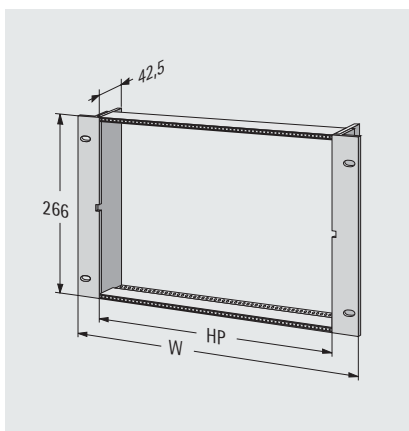


Frame, 6 U

- single row with 2 threaded inserts

Included in delivery

| Item | Pc. | Description |
|------|-----|-------------------------|
| 1 | 2 | Front bracket |
| 2 | 2 | Module rails, chromated |
| 3 | 2 | Side pieces |
| 4 | 2 | Threaded inserts |
| 5 | | Assembly material |



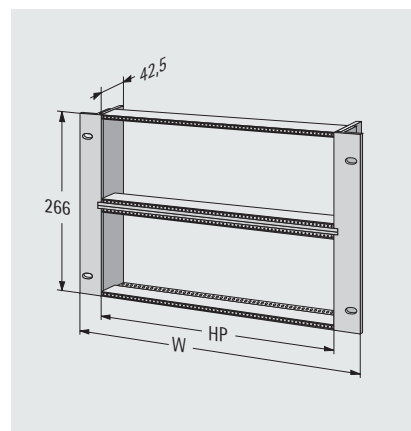
| HP | Width (W) mm | Part no. |
|----|--------------|----------|
| 84 | 482,6 | 242-903 |
| 42 | 269,4 | 242-913 |

Frame, 6 U

- double row with 4 threaded inserts

Included in delivery

| Item | Pc. | Description |
|------|-----|-------------------------|
| 1 | 2 | Front bracket |
| 2 | 4 | Module rails, chromated |
| 3 | 2 | Side pieces |
| 4 | 4 | Threaded inserts |
| 5 | | Assembly material |



| HP | Width (W) mm | Part no. |
|----|--------------|----------|
| 84 | 482,6 | 242-902 |
| 42 | 269,4 | 242-912 |



201 • Frame, 4 U (for front mounting using screws)



Sample configuration: 19" frame, 4 U

19" frame, 4 U

- This frame is the ideal supplement for control panel enclosures.
- It can be installed in switch cabinet doors or similar applications.
- available installation height: 3 U / 126 mm
- for installing active components and/or 100 mm x 160 mm Euroboards
- installed in a 445 mm x 135 mm cut-out and attached on the front using four screws

Delivery: kit form

Included in delivery

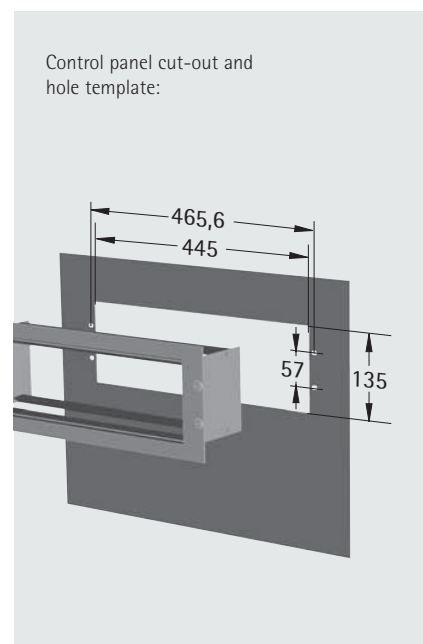
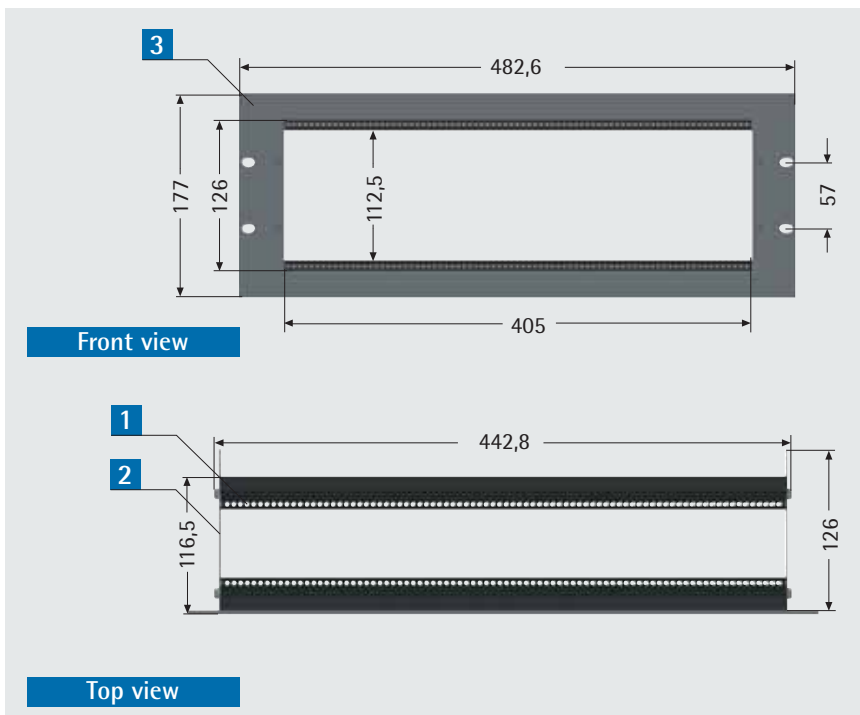
| Item | Pc. | Description |
|------|-----|----------------------------------|
| 1 | 4 | Module rails profile no. 241-030 |
| 2 | 2 | Side panels |
| 3 | 1 | 19" front plate d=2.5 mm |
| 4 | | Assembly material |

Order information

| Depth mm | Part no. |
|----------|------------|
| 126 | 20-1075-00 |

Other sizes on request!

Specifications





19" carrier frame "apra-frame"

- solid carrier frame made of black glass-fiber-reinforced plastic (ABS)
- UL 94 V-2
- 2 integrated 84 HP – threaded rails M 2,5 (optional M3) for holding 3 U electrical components
- The frame is fastened to the cabinet door with four M 6 screws. The cutting edges are covered by the frame.
- optionally available: lockable, anti-reflection coated viewing door made from polycarbonate:
 - opens with 170 degree hinge
 - IP 54 protection of the built-in components against dust and moisture
 - protection against unauthorized access
- Individual finish is possible, if desired.
- also available as 19" subrack with aluminium side panels

Dimensions:

outside dimensions: 178 x 482,6 mm
 hole interval: 464 x 101 mm
 visible area: 450 x 150 mm
 assembly depth: 32 mm
 total depth: 86 mm

Delivery: unmounted

Finish: black

Order information

| Description | Part no. |
|----------------------------|------------|
| Frame with visual cover | 24-5754-84 |
| Frame without visual cover | 24-5753-84 |

| Description | Part no. |
|--------------------------|------------|
| subrack module 3 U/84 HP | 24-5754-80 |

Available Accessories (on request):

- spare key
- panels for front cover
- 2 threaded rails M 3

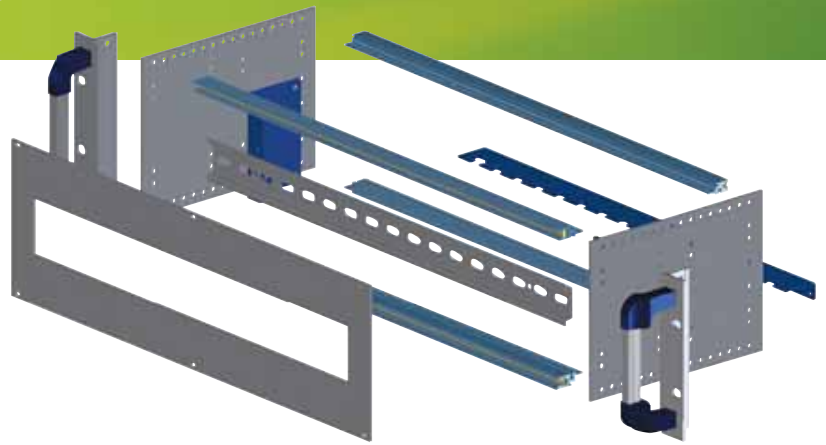


Note: Can not be used with plastic screw holder 25-0697-02 and -05.



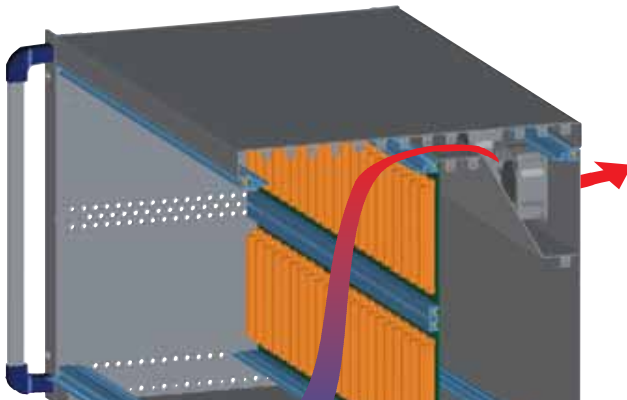
subrack 3 U

- for installation of automatic circuit breakers



customized solutions

- connectors with frontside access



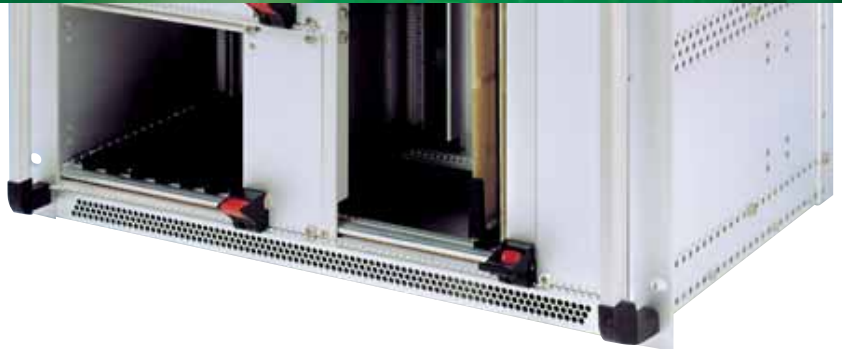
subrack 4 U

- optimum active cooling from the lower front to the upper rear



subrack 7 U

- optimum active cooling from the lower front to the upper rear





customized solutions

