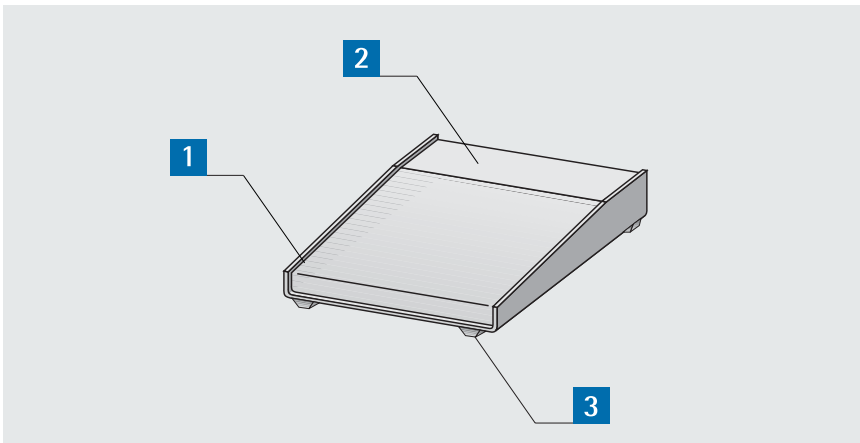




### Desk console

- desk console in light aluminium construction
- hood fits inside bottom piece and is screwed together from underneath
- perfectly suited for the use of sealed keypads



### Specifications

**Application:**

For controls such as sealed keypads

**Material:**

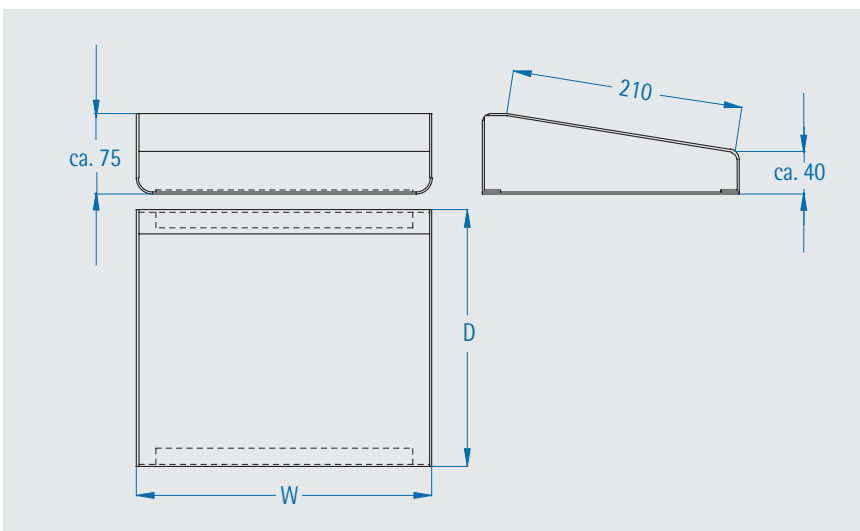
Aluminium panel, 2mm

**Finish:**

RAL 7035 light grey

**Delivery:**

not assembled



### Included in delivery

Item	Pc.	Description
1	1	Bottom shell
2	1	Cover hood
3	4	Case feet, self-adhesive
4		Assembly material

Additional sizes and customised treatments (e.g. milling, silkscreen printing) available on request.

### Order information

Width W mm	Part no.	
	D = 240 mm	D = 340 mm
490	502-001	502-002
420	502-011	502-012



Individually machined, silk screened or with keyboard foils

equipped front panels are available on request!

