

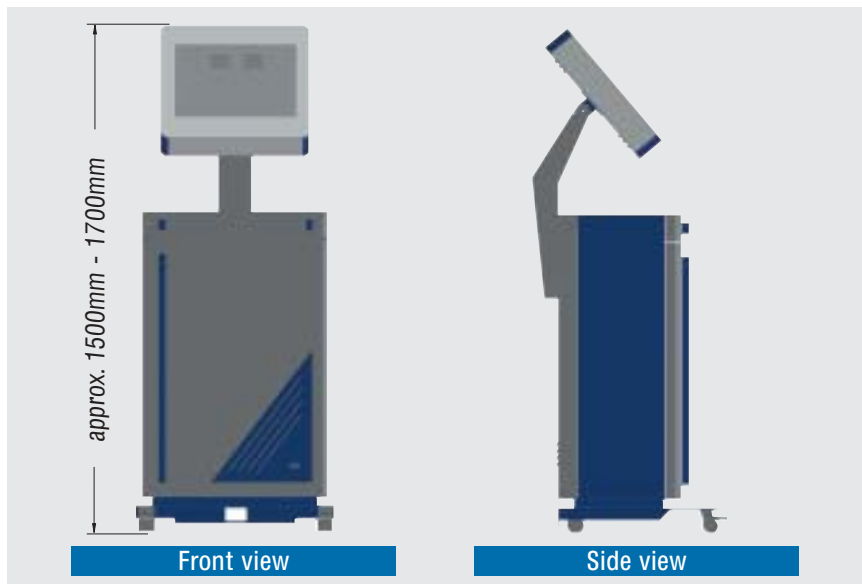


## apraTFT

TFT displays are smaller, economical and have higher image quality; they hold their own against high-volume CRT monitors. Our new apraTFT group of products has adopted this trend and offers a modular construction system, from which you can select the optimum solution for your display and operating device needs.



### Specifications



### TFT control and info terminal

- universal use in manufacturing, storage and administrative areas
- for data recording, process and machine control, interactive information from employees and visitors, and much more



**Individual configuration:** Design your own customized TFT control and info terminal. Select your required components one at a time.

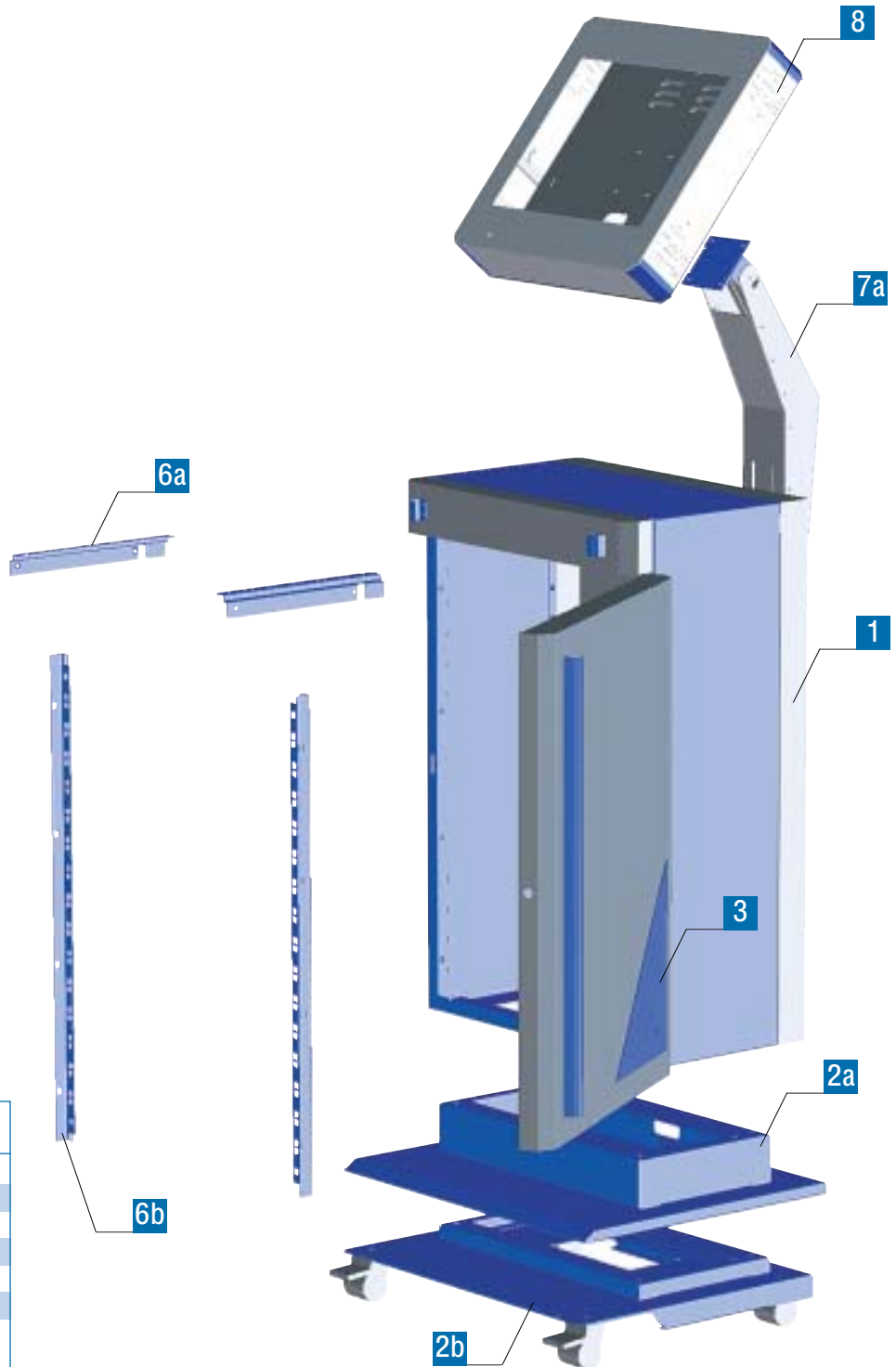
**Application:**  
holds TFT display up to 18.1" in the modular case and any model PC, input device optional

**Construction:**  
Our standard terminal base cabinet has a stable welded-frame design with clean lines. An extractable PC shelf and the optional keyboard tray make operation easy. The extra shelf above the PC creates storage space. The monitor case, which matches the base cabinet, has a steplessly adjustable width, height and depth thanks to its corner shape. The standard model can hold a TFT display up to 18.1" in size. The monitor support has an adjustable height and can tilt. A hinged arm can also be used.

**Finish:**  
RAL 7035 light grey  
RAL 5014 pigeon blue  
(see figure)

**Material:**  
Aluminium panel/extrusions  
(other materials, e.g. stainless steel, available on request)

**Delivery:**  
assembled



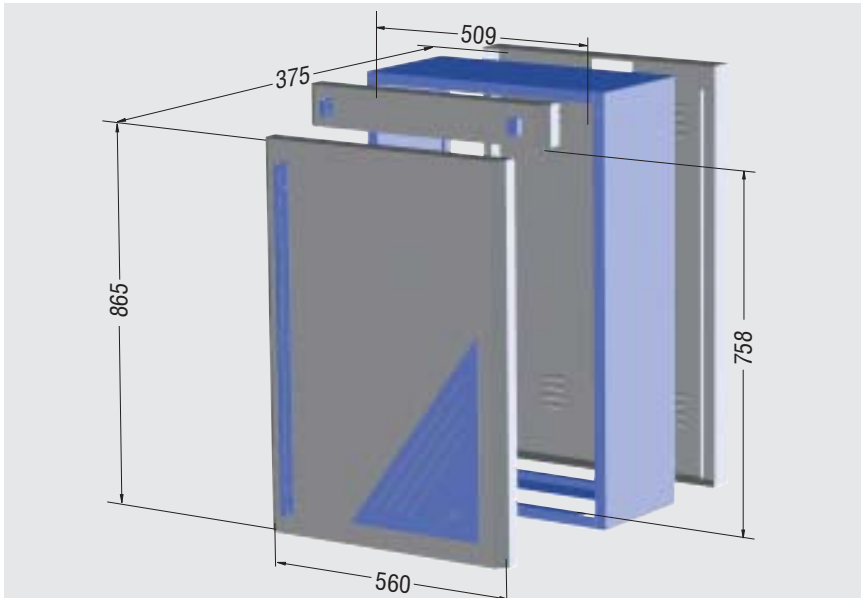
Item	Description
1	Base cabinet
2a	Stationary base
2b	Base with castors
3	Decorative panels
4a	Shelf, fixed (not shown)
4b	Shelf, extractable (not shown)
5	Keyboard tray with mouse area (not shown)
6a	19" 6 U expansion kit, horizontal
6b	19" 16 U expansion kit, vertical
7a	Support arm
7b	Hinged arm (not shown)
8	Display enclosure
9	Desktop (not shown)



## 384 • TFT control and info terminal



### 1 Base cabinet



- basic rack with ventilated rear wall, front door and front panel with handles
- stable welded-frame construction
- locking front door

#### Application:

for installing any model PC and other components such as a printer, keyboard, etc.

#### Finish:

Rack: RAL 5014 pigeon blue

Front door and panel:

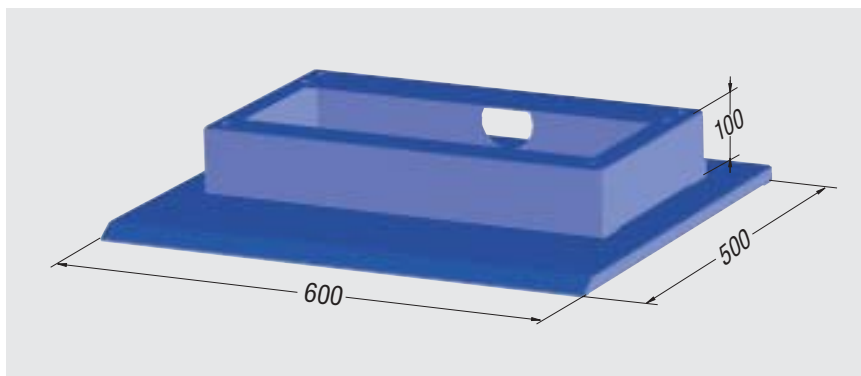
RAL 7035 light grey

#### Delivery:

assembled

Part no.
38-4000-00

### 2 Base



#### 2a Stationary base

- for securely supporting the apraTFT terminal

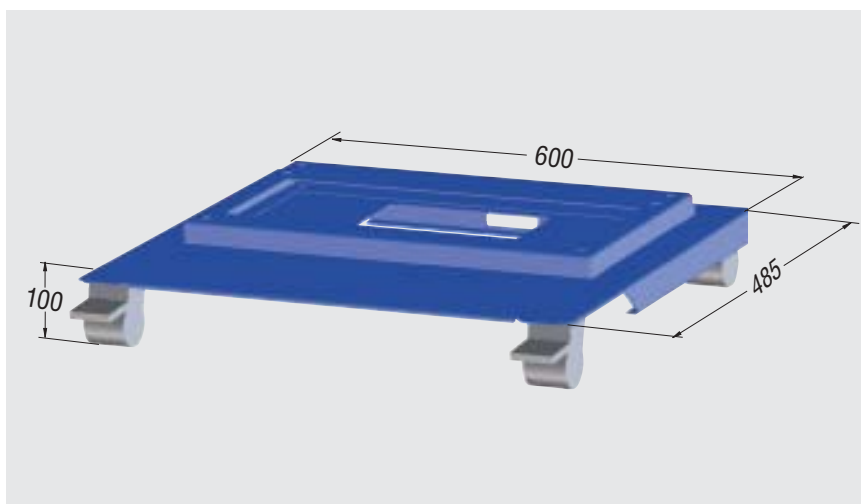
#### Finish:

RAL 5014 pigeon blue

#### Delivery:

assembled

Part no.
38-4001-00



#### 2b Base with castors

- for TFT terminal mobile use
- 2 swivel castors with brake, front
- 2 rigid castors, rear
- carrying capacity: 40-60kg per castor

#### Finish:

RAL 5014 pigeon blue

#### Delivery:

assembled

Part no.
38-4002-00



### 3 Decorative panels



- front decoration for mounting on the door of the base cabinet
  - we will prepare your customized decorative panel with your company's logo, for example.
- Just call us:  
Tel.: +49 3 71 28 12 4-0

### Plug & play module

- includes:
  - power strip with shock-proof plug
  - earthing kit

Part no.
38-4009-00

Part no.
38-4010-00

### 4 Shelf, fixed

- holds a PC tower or desktop case
- organize the remaining storage room in the base cabinet any way you like; for printers, manuals, document storage and more
- incl. assembly material

Finish:  
RAL 5014 pigeon blue

Part no.
38-4003-00

### 4 Shelf, extractable

- holds a PC
- pulls out to provide unblocked access to plugs and connections
- incl. assembly material

Finish:  
RAL 5014 pigeon blue

Part no.
38-4004-00

### 5 Keyboard tray with mouse area

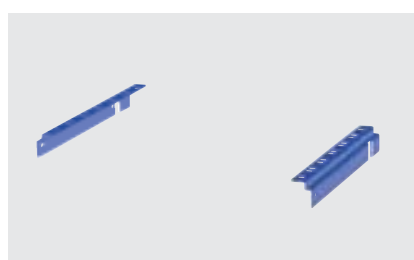
- mouse area pulls out to the side
- Height: 82mm
- protected storage of keyboard
- creates space on the work surface
- incl. assembly material

Finish:  
RAL 7035 light grey

Part no.
38-4005-00

### 6 19" expansion kit, 6 U/16 U

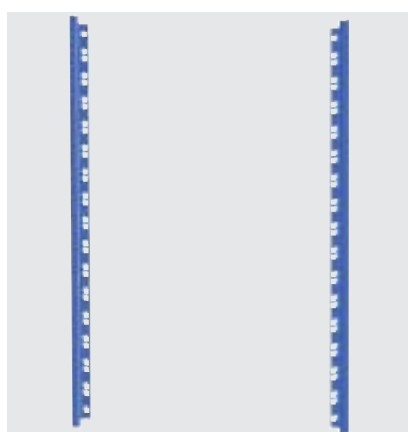
#### 6a 19" expansion kit, 6 U



- horizontal installation for hanging a 19" computer plug-in unit with a height up to 6 U and depth up to 600mm

Description	Part no. (pair)
6 U horizontal	38-4006-00

#### 6b 19" expansion kit, 16 U

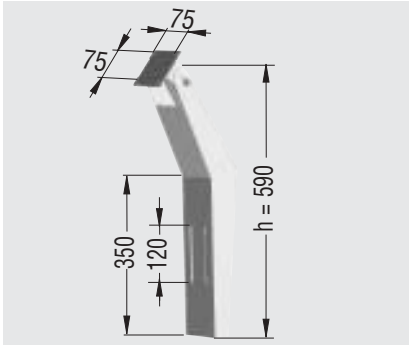


- vertical installation for mounting a subrack, Hard Box (see p. 4.42) or customized hardware components with depth up to 300mm

Description	Part no. (pair)
16 U vertical	38-4007-00



**7 Support arm/hinged arm**



**7a Support arm**

- sheet steel solution for mounting on our base cabinet
- hinge for tilting the display
- adjustable height at the point of connection with the base cabinet
- our inexpensive alternative to the hinged arm **7b**

Finish:  
RAL 7035 light grey

Part no.
38-5001-00



**7b Hinged arm**

- hinges steplessly on 3 axes
- gas springs balance weight and allow the display to be adjusted easily
- incl. assembly material and operating instructions

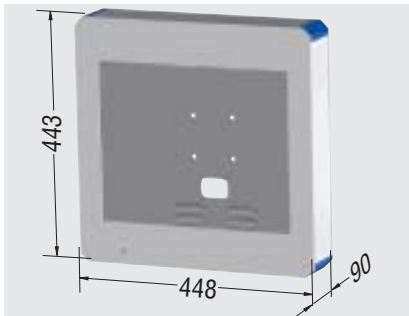
Carrying capacity: approx. 12.7kg

Finish: grey

Note: If you require more advanced solutions in the area of support arm systems, we would be happy to refer you to a competent partner!

Part no.
38-5009-00

**8 Display enclosure**



- ready for mounting support arm
- for 13"-18.1" TFT displays
- safety glass pane optional
- See Chapter 6, p. 6.27 for more information.

Description	Part no.
for 13"-15.1" TFT displays	38-1153-00
for 17"-18.1" TFT displays	38-1183-00

**9 Desktop**

- for the top of the base cabinet

Finish:  
similar to RAL 7035 light grey

Part no.
38-4011-00

We also offer ...

**19" TFT display plug-in units**



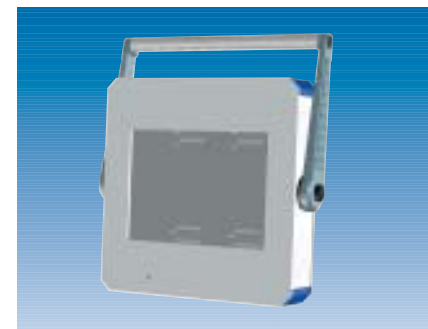
see Chapter 4 "19" Plug-in Units" see p. 4.22

**19" TFT plug-in units for monitors**



see Chapter 4 "19" Plug-in Units" see p. 4.23

**TFT display enclosure with mounting and carrying arm**



see Chapter 2 "Desktop Enclosures" see p. 6.27

We would also be happy to develop customized solutions based on our apraTFT terminal, for example with new design elements and colours, a touchscreen, standard or stainless steel keyboards, increased security requirements, etc. Just ask us-we would be happy to assist you.