



**12** Transparent door with frame

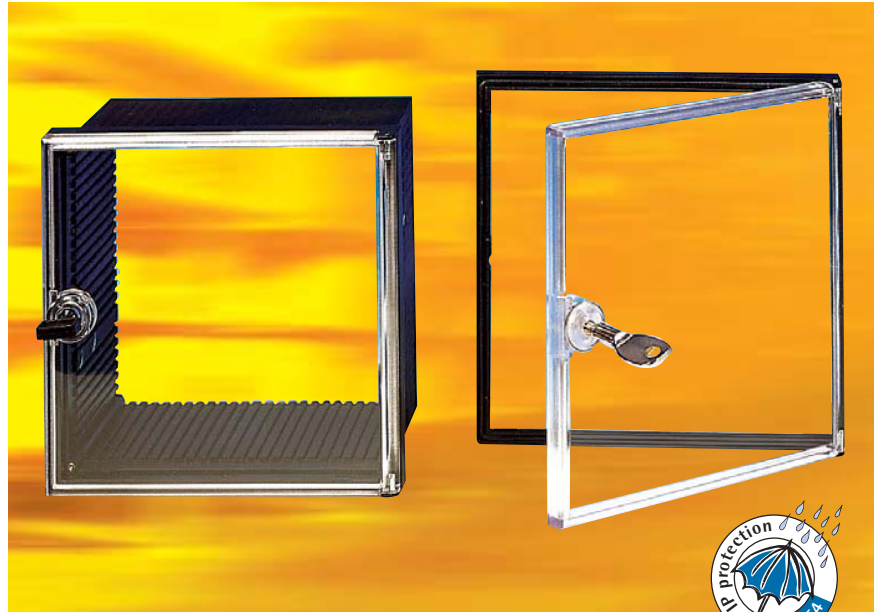
- for panel instrument cases acc. to IEC 61554
- can be mounted to the enclosure instead of a front frame
- high fitting accuracy and perfect sealing
- clear, high-quality glass
- high-grade materials ensure optimal impact strength and dimensional stability even in extreme temperatures.

**Material:**

Polycarbonate, listed acc. to UL 94 V-0

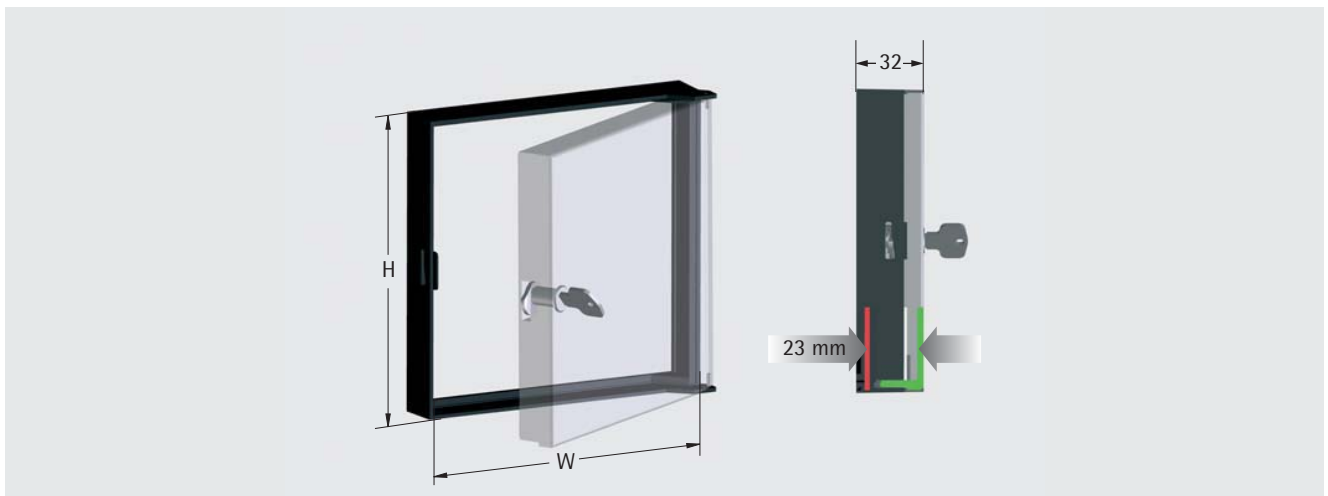
**Degree of protection:**

IP 54



After mounting, the door cannot be removed without applying force.

**A** Transparent door with frame

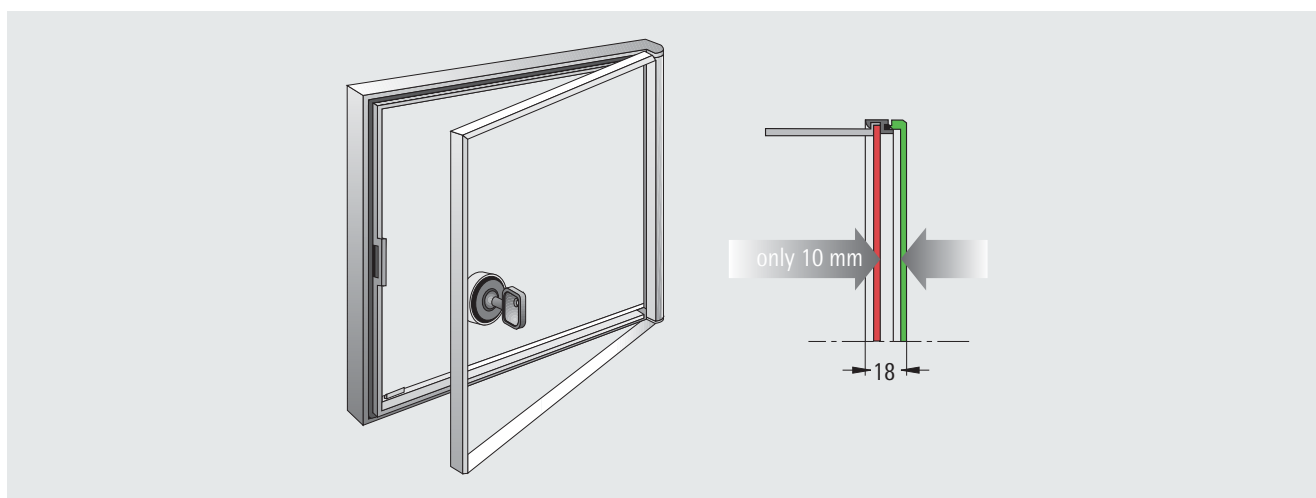


clear height between front panel and inside of the door = 23 mm

W x H mm	Degree of protection	A1 Transparent door with frame and lock (lockable)	A2 Transparent door with frame and plastic sash fastener
72 x 144	IP 54	446-100-01	446-100-02
72 x 72	IP 54	446-030-01	446-030-02
96 x 144	IP 54	446-150-01	446-150-02
96 x 48	IP 54	446-090-01	446-090-02
96 x 96	IP 54	446-040-01	446-040-02
144 x 144	IP 54	446-050-01	446-050-02
192 x 144	IP 54	446-120-01	446-120-02
192 x 96	IP 54	446-110-01	446-110-02
288 x 144	IP 54	446-130-01	446-130-02



**B** Flat transparent door with frame



clear height between front panel and inside of the door = 10 mm

W x H mm	Degree of protection	B1 Flat transparent door with frame and lock (lockable)	B2 Flat transparent door with frame and plastic sash fastener
144 x 144	IP 54	447-050-01	447-050-02

**13** Transparent door with mounting brackets

- high tensile and impact strength, door frame reinforced with glass fibre
- excellent electrical and dielectric properties
- excellent light permeability of transparent doors
- optimum dimensional stability
- heat distortion temperature per DIN 53461: 135 °C
- **optional sealing** between transparent door and panel available  
(**Material:** foam rubber black, 3 mm thick, self-adhesive on both sides)

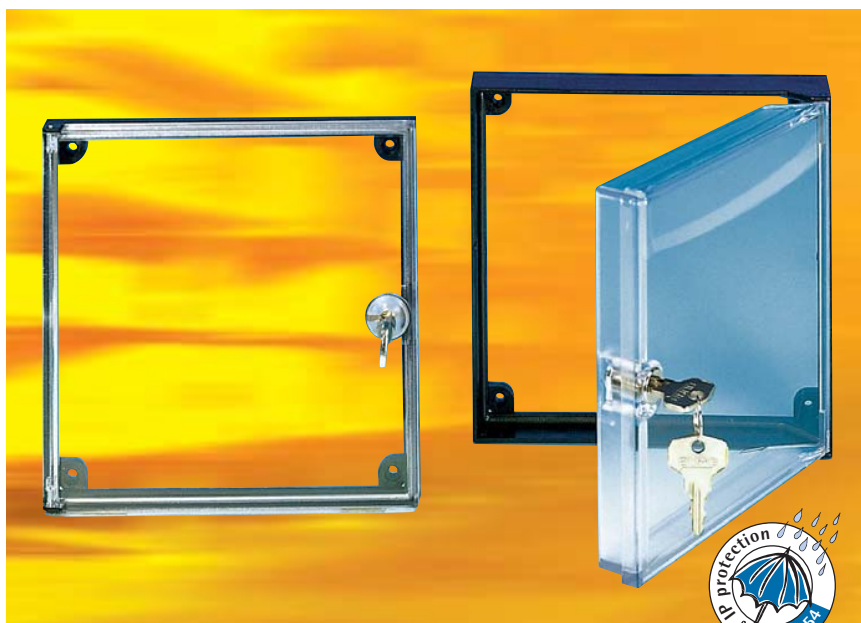
**Material:**

Polycarbonate, listed acc. to UL 94 V-0

**Degree of protection:**

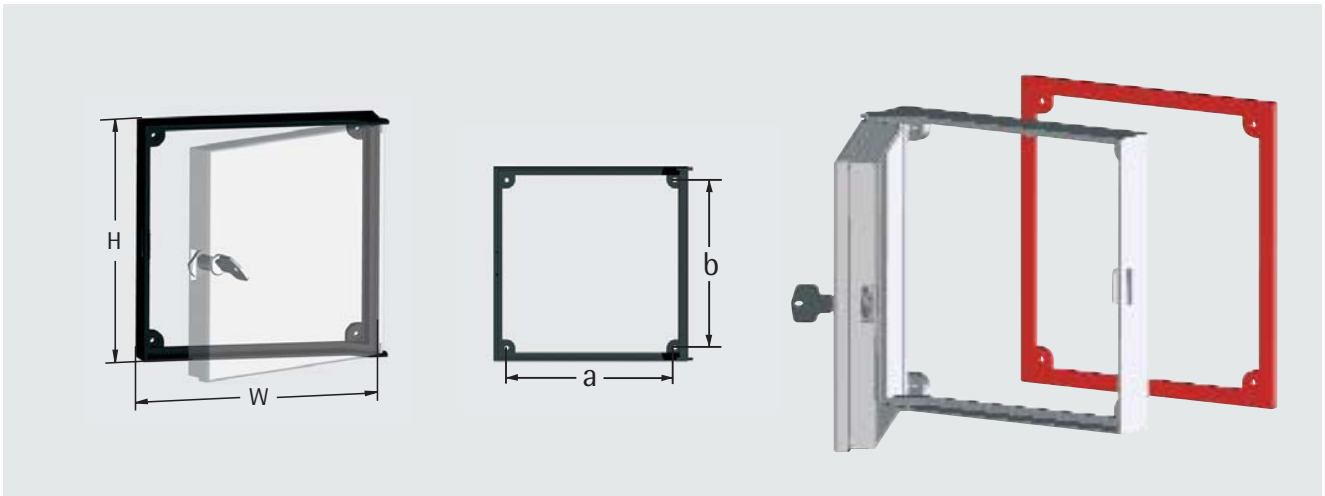
IP 54

Other sizes on request. Please ask us!





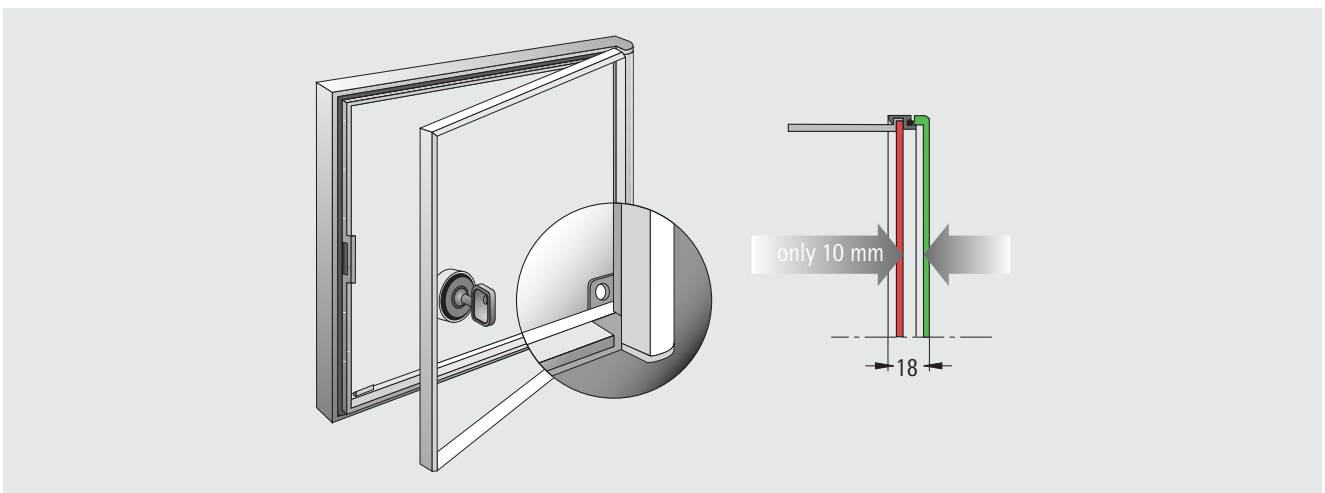
**A** Transparent door with mounting brackets



clear height between front panel and inside of the door = 23 mm

W x H mm	Degree of protection	Hole pattern a x b mm	A1 Transparent door with mounting brackets and lock (lockable)	A2 Transparent door with mounting brackets and plastic sash fastener	Sealing between frame and case
72 x 144	IP 54	52,5 x 125,6	446-100-04	446-100-05	-
72 x 72	IP 54	51,6 x 51,3	446-030-04	446-030-05	-
96 x 144	IP 54	76,9 x 125,1	446-150-04	446-150-05	446-150-10
96 x 48	IP 54	76,9 x 28,8	446-090-04	446-090-05	-
96 x 96	IP 54	77,2 x 76,8	446-040-04	446-040-05	446-040-10
144 x 144	IP 54	125,9 x 125,3	446-050-04	446-050-05	446-050-10
192 x 144	IP 54	173,3 x 125,1	446-120-04	446-120-05	446-120-10
192 x 96	IP 54	173,3 x 76,9	446-110-04	446-110-05	446-110-10
288 x 144	IP 54	269,5 x 125,1	446-130-04	446-130-05	446-130-10

**B** Flat transparent door with mounting brackets



clear height between front panel and inside of the door = 10 mm

W x H mm	Degree of protection	Hole pattern a x b mm	B1 Flat transparent door with mounting brackets and lock (lockable)	B2 Flat transparent door with mounting brackets and plastic sash fastener
144 x 144	IP 54	125,5 x 125,5	447-050-04	447-050-05