

Aluminium panel instrument case

- high stability due to closed extruded aluminium profile
- well suited for EMC shielding due to conductive coating
- as an alternative to the removable plastic front frame, a transparent door from our standard product line can also be attached (see page 16)
- as an alternative to mounting with fixing clamps, two mounting plates with pins can be pushed into the groove.

Material:

Enclosure/mounting extrusion:

Aluminium

Frame: Zinc, die-cast

Front / rear panel: Aluminium 2,5mm

Front frame: Lexan 141 R black 701

Finish:

Enclosure extrusion: exterior finish

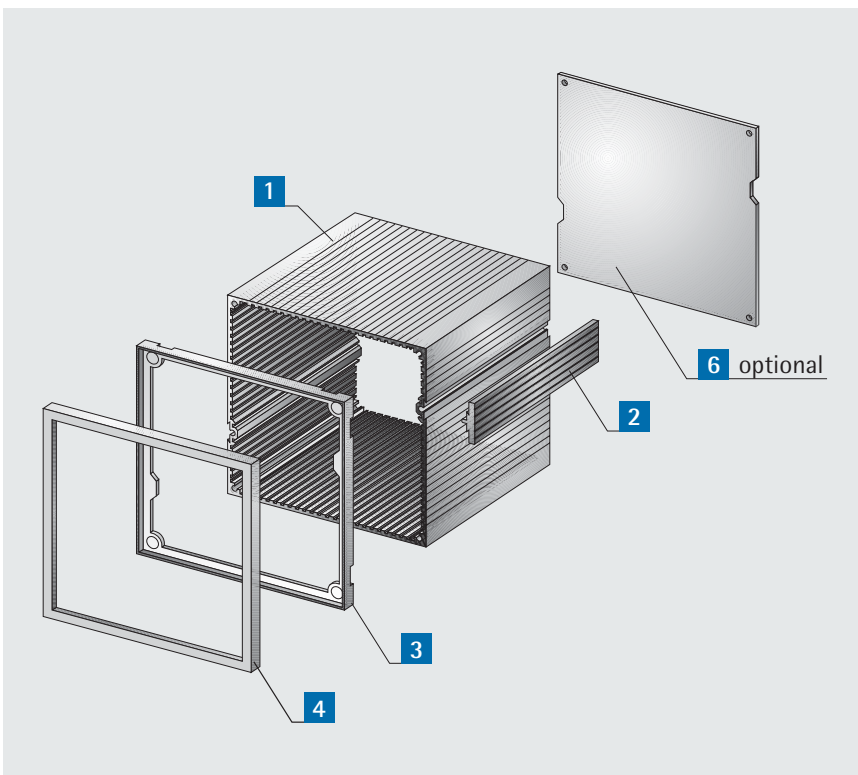
RAL9005 deep black, interior chromated

Mounting extrusion: anodized

Zinc die-cast frame: conductive surface

Front / rear panel: exterior anodized, interior chromated

Other dimensions and individual colours and machining on request. Front and rear panel are not included in delivery. Please order separately!



Delivery

Item	Pc.	Description
1	1	Enclosure extrusion
2	2	Mounting extrusion
3	1	Zinc die-cast frame
4	1	Plastic front frame
5		Mounting material



Aluminium panel instrument case 96 x 96 (W x H)

D mm	Case	Front panel	Rear panel	Sealing between case and panel	Sealing between front panel and case
60,5	442-300-00	442-310-00	442-313-00	442-315-01	442-315-02
82,5	442-301-00	442-310-00	442-313-00	442-315-01	442-315-02
107,0	442-304-00	442-310-00	442-313-00	442-315-01	442-315-02
116,5	442-302-00	442-310-00	442-313-00	442-315-01	442-315-02
138,5	442-303-00	442-310-00	442-313-00	442-315-01	442-315-02
163,0	442-305-00	442-310-00	442-313-00	442-315-01	442-315-02
209,0	442-306-00	442-310-00	442-313-00	442-315-01	442-315-02

Aluminium panel instrument case 144 x 96 (W x H)

D mm	Case	Front panel	Rear panel	Sealing between case and panel	Sealing between front panel and case
60,5	442-320-00	442-330-00	442-333-00	442-335-01	442-335-02
82,5	442-321-00	442-330-00	442-333-00	442-335-01	442-335-02
107,0	442-324-00	442-330-00	442-333-00	442-335-01	442-335-02
116,5	442-322-00	442-330-00	442-333-00	442-335-01	442-335-02
138,5	442-323-00	442-330-00	442-333-00	442-335-01	442-335-02
163,0	442-325-00	442-330-00	442-333-00	442-335-01	442-335-02
209,0	442-326-00	442-330-00	442-333-00	442-335-01	442-335-02

Aluminium panel instrument case 144 x 144 (W x H)

D mm	Case	Front panel	Rear panel	Sealing between case and panel	Sealing between front panel and case	Sealing between frame and extrusion
60,5	442-360-00	442-370-00	442-373-00	442-375-03	442-375-02	442-375-01
82,5	442-361-00	442-370-00	442-373-00	442-375-03	442-375-02	442-375-01
107,0	442-364-00	442-370-00	442-373-00	442-375-03	442-375-02	442-375-01
116,5	442-362-00	442-370-00	442-373-00	442-375-03	442-375-02	442-375-01
138,5	442-363-00	442-370-00	442-373-00	442-375-03	442-375-02	442-375-01
163,0	442-365-00	442-370-00	442-373-00	442-375-03	442-375-02	442-375-01
209,0	442-366-00	442-370-00	442-373-00	442-375-03	442-375-02	442-375-01

Internal dimensions

