

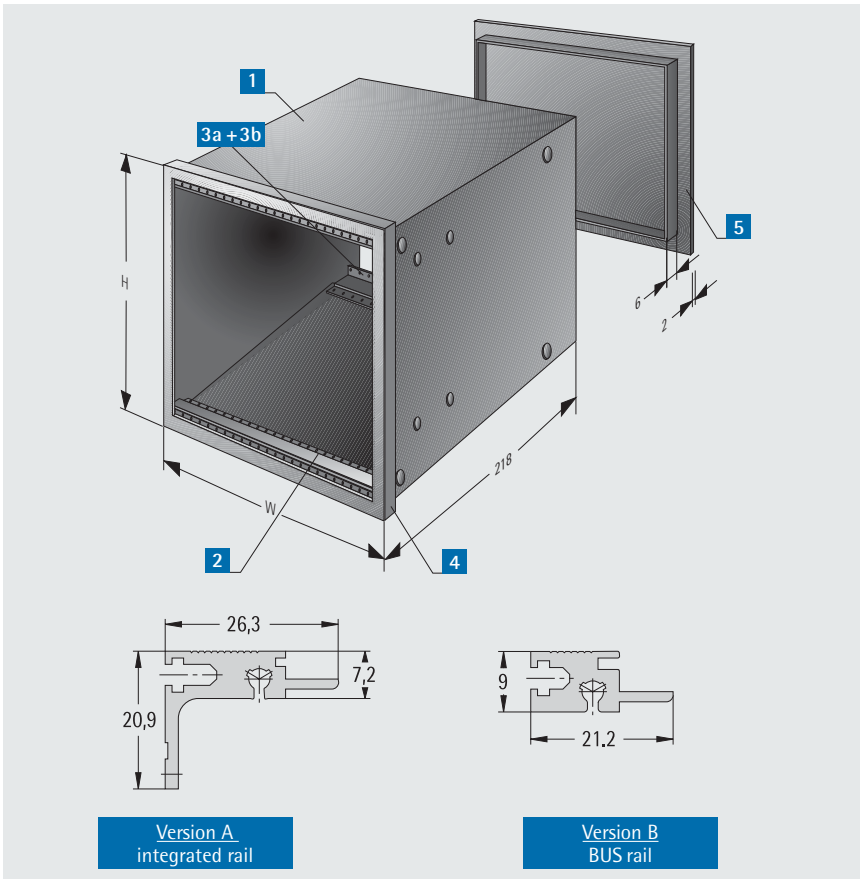


Plastic panel instrument case with 19" plug-in system

- installation dimensions of plug-in system acc. to IEC 297-3-101
- for installing europe cards of 100 x 160 mm
- front frame can be clipped on or glued on
- **three versions available:**
 - A:** case for connectors (rear: integrated module rail)
 - B:** BUS case (rear: BUS module rail)
 - C:** case, empty (without module rails)

Material:

Noryl SE1 GFN 2, black



Delivery

Item	Pc.	Description
1	1	Panel instrument case with mounting pins on the sides/top and bottom
2	(2)	Front: standard module rails with threaded strips M2.5 (only types A and B)
3a	(2)	Rear: integrated module rails, 32 pole acc. to DIN 41612 (type A only)
3b	(2)	Rear: module rails „BUS“ model, with threaded strips M2.5 (type B only)
4	1	Front frame
5	1	Rear panel, snap-in
6	(4)	Card guides (without fig.) (only types A and B)

W x H mm	Panel cut-outs w x h	HP	A Case for connector	B Case BUS	C Case empty	Cover plate for empty case	Filter screen for empty case	Transparent door with lock	Transparent door with sash fastener
72 x144	68 x 138	12	446-102	446-106	446-101	445-271	445-272-09	446-100-01	446-100-02
96 x144	92 x 138	16	446-152	446-156	446-151	445-331	445-332-09	446-150-01	446-150-02
144 x144	138 x 138	26	446-052	446-056	446-051	445-371	445-372-09	446-050-01	446-050-02
192 x144	186 x 138	35	446-122	446-126	446-121	445-391	445-392-09	446-120-01	446-120-02
288 x144	282 x 138	54	446-132	446-136	446-131	445-491	445-492-09	446-130-01	446-130-02



Sheet steel panel instrument case with 19" plug-in system • 443



Sheet steel panel instrument case with 19" plug-in system

- acc. to IEC 61554
- with 19" plug-in system acc. to IEC 297-3
- for europe cards and modules 100 x 160 mm and 100 x 220 mm
- also available with lockable transparent door
- **three versions available:**
 - A:** case without door
 - B:** case with door
 - C:** case, empty

Material:

Case: sheet steel
 Front frame: Lexan 141 R black 701
 Rear panel: Noryl SE1 GFN2 black

Finish: RAL 9005 black

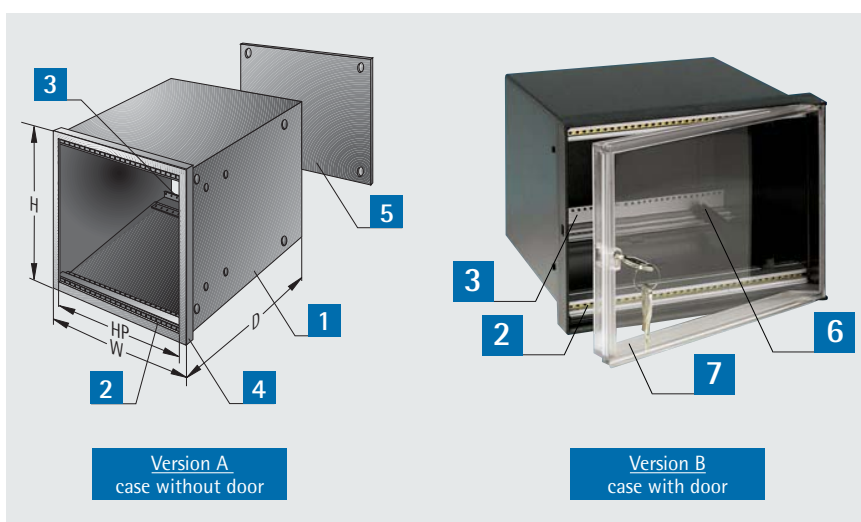
Degree of protection:

IP 42 (from the front)



Delivery

Item	Pc.	Description
1	1	Case with side mounting pins
2	(2)	Front: integrated module rail with threaded strips M2.5 (only types A and B)
3	(2)	Rear: integrated module rail with threaded strips M2.5 for plug-in connectors (32/64 pole) acc. to DIN 41612 (only types A and B)
4	1	Front frame
5	1	Rear panel with 4 screws
6	(2)	Card guides 160 mm (only types A and B)
7	(1)	Transparent door with lock (only type B)



Other colours available upon request for orders starting at 100 pieces.

The transparent door is permanently attached to the case. It is glued on from the back with sealing compound ensuring the case and door are securely sealed against the panel.

W x H mm	HP	Cut-out for instrument panel w x h mm	A Case without door D = 200 mm	A Case without door D = 260 mm	B Case with door D = 200 mm	B Case with door D = 260 mm	C Case empty D = 200 mm	C Case empty D = 260 mm
48 x 144	7	42 x 138	443-241	443-247	-	-	443-741	443-747
72 x 144	12	66 x 138	443-101	443-107	443-402	443-408	443-601	443-607
96 x 144	16	90 x 138	443-151	443-157	443-452	443-458	443-651	443-657
144 x 144	26	138 x 138	443-051	443-057	443-352	443-358	443-551	443-557
192 x 144	35	186 x 138	443-121	443-127	443-422	443-428	443-621	443-627
288 x 144	54	282 x 138	443-131	443-137	443-432	443-438	443-631	443-637



Fixing clamp Type C (acc. to DIN 43835)



- acc. to DIN 43835
- approx. 185mm long
- M5 threaded rod

Order no.
443-001

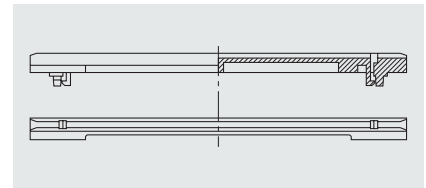
Heavy-duty fixing clamp



- approx. 190mm long
- M5 threaded rod with pressure piece

Order no.
443-002

Card guide

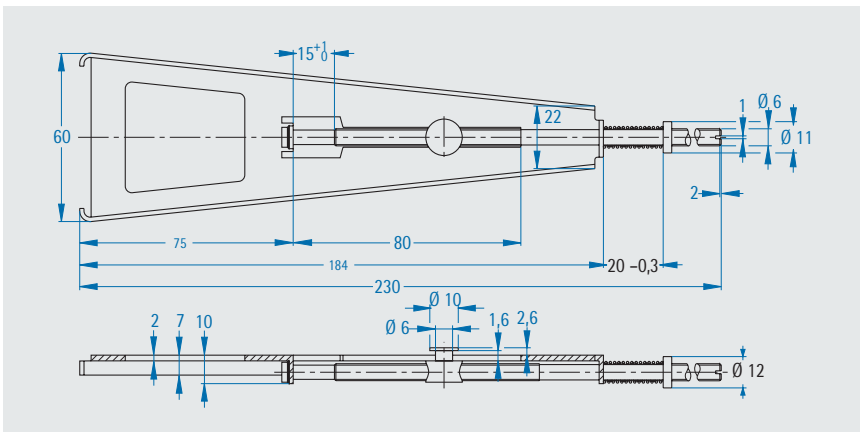


- for 160 mm / 220 mm long cards
- flammability tested acc. to UL 94 V-0

Material:

Valox DR 48 - 8233

for card depth d mm	Order no.
160	240-401-00
220	240-406-00

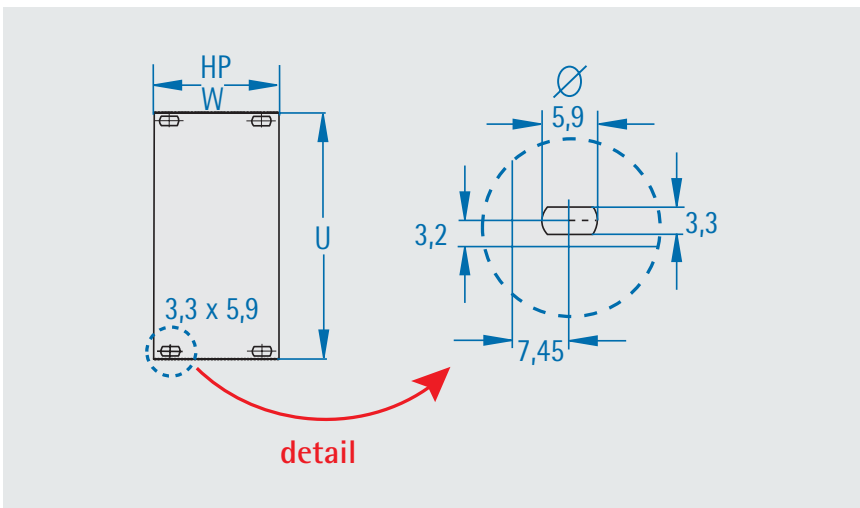


Mounting element acc. to DIN 43834

- for heavy plug-in units, etc.

An additional \varnothing 12mm hole on the cases is required for this!

Order no.
443-003



Front panels 3 U

Material:

Aluminium 2,5 mm

Finish:

front anodised,
rear transparent chromated

HP	W mm	H mm	Order no.
7	35	129	243-007-45
12	61	129	243-012-45
16	81	129	243-016-45
26	132	129	243-026-45
35	178	129	243-035-45
54	274	129	243-054-45