



Series D standard case

- plastic case constructed from impact-resistant polystyrene, 3mm
- connected by snap locks; no screws required
- front panel and rear panel with 7 mm offset towards the inside



Specifications

Application:

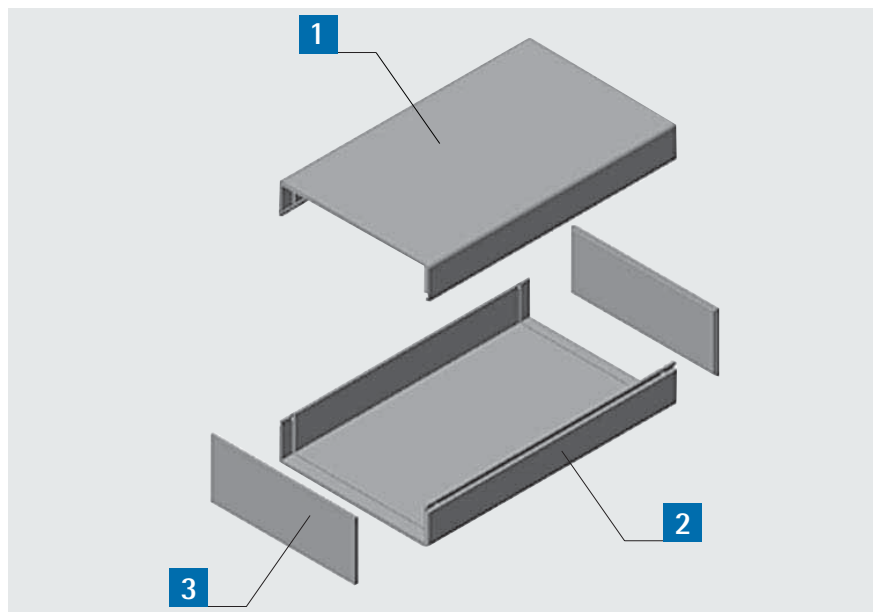
Case for boards or small modules

Material:

Polystyrene 3 mm

Protection system:

IP 42



Included in delivery

Item	Pc.	Description
1	1	Top shell
2	1	Bottom shell
3	2	Front panels

Additional sizes and customised treatments (e.g. milling, silkscreen printing) available on request.

Order information

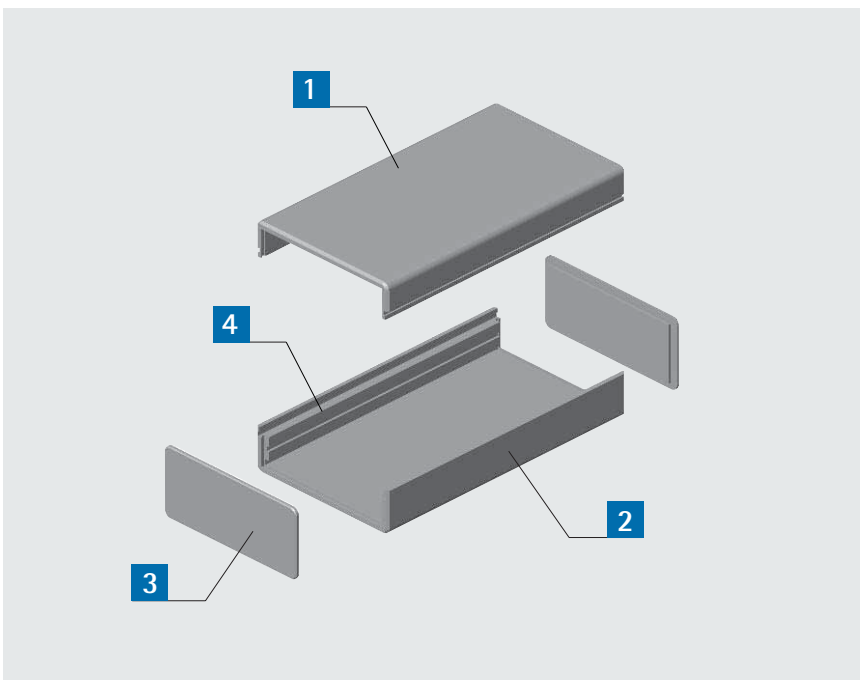
Description Part no.	Interior dimensions			Colour
	h mm	w mm	d mm	
D 10	50	100	110	grey-white/warm grey
D 20	35	145	170	grey-white/warm grey
D 25 R	40	103	160	grey-white/warm grey
D 30	40	120	170	grey-white/warm grey
D 40	70	110	145	grey-white/warm grey
D 45 R	70	103	160	grey-white/warm grey
D 50	60	160	170	grey-white/warm grey
D 60	100	180	210	grey-white/warm grey
D 70	70	200	215	grey-white/warm grey



Series DB standard case

- plastic case constructed from impact-resistant polystyrene, 3mm
- connected by snap locks; no screws required
- 2 card guides can be glued in
- front and rear panels flush fitting

Specifications



Application:

Case for boards or small modules

Material:

Polystyrene 3 mm

Protection system:

IP 54

Order information

Description Part no.	Interior dimensions			Colour
	h mm	w mm	d mm	
DB 1	25	53	103	grey-white/warm grey
DB 2	25	63	125	grey-white/warm grey
DB 3	30	83	163	grey-white/warm grey
DB 4	30	103	203	grey-white/warm grey
DB 5	50	103	203	grey-white/warm grey
DB 6	17	38	83	grey-white/warm grey

Included in delivery

Item	Pc.	Description
1	1	Top shell
2	1	Bottom shell
3	2	Front panels
4	2	card guides, can be glued in

Additional sizes and customised treatments (e.g. milling, silkscreen printing) available on request.



Series N2U standard case

- plastic case constructed from impact-resistant polystyrene, 3mm
- locks together with tongue and groove joints
- U-shaped top and bottom pieces
- no screws required



Specifications

Application:

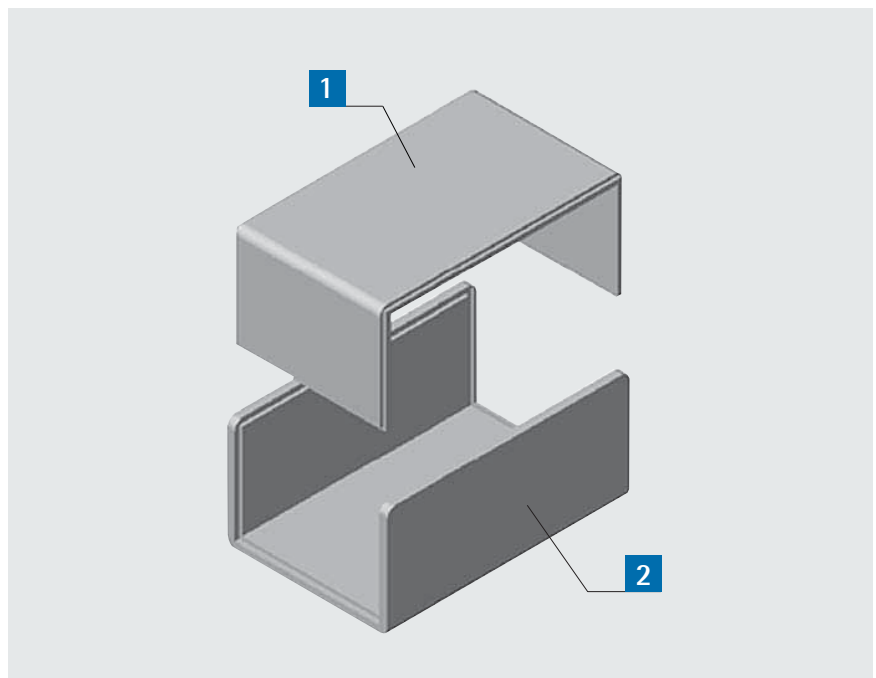
case for boards or small modules

Material:

polystyrene 3 mm

Degree of protection:

IP 42



Included in delivery

Item	Pc.	Description
1	1	Top shell
2	1	Bottom shell

Additional sizes and customised treatments (e.g. milling, silkscreen printing) available on request.

Order information

Description Part no.	Interior dimensions			Colour
	h mm	w mm	d mm	
N2U 1	25	40	40	grey-white
N2U 2	20	90	35	grey-white
N2U 3	25	53	163	grey-white
N2U 4	20	53	83	grey-white
N2U 5	35	53	83	grey-white
N2U 6	20	103	163	grey-white
N2U 7	20	163	203	grey-white