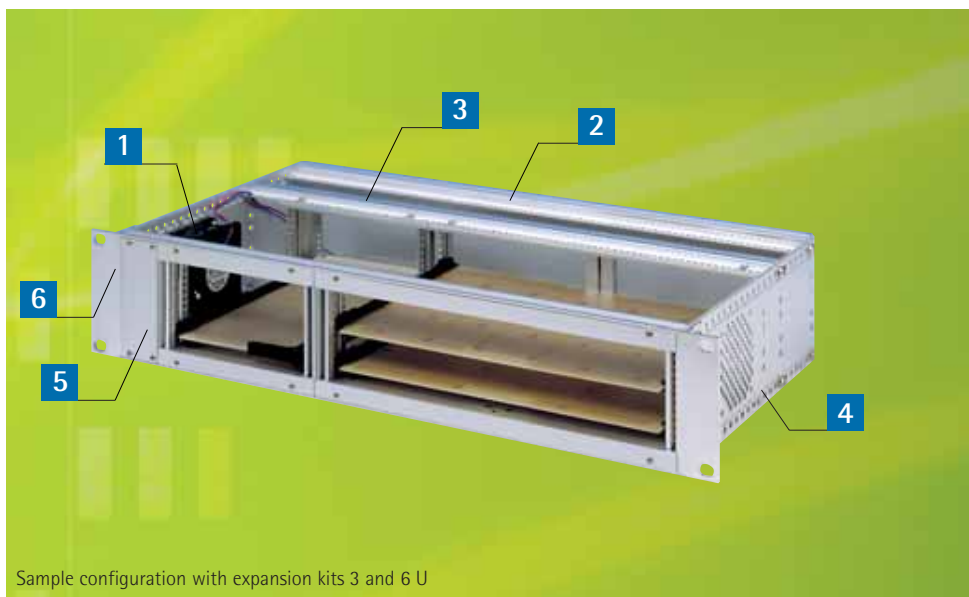




### 19" subrack 2 U, 84 HP

- ventilated side panels with fan option
- ideal for installing subracks vertically in appropriate 19" apra-norm wall-mounted enclosures
- side panels with twist lock for module rails



### Specifications

#### Application:

for plug-in units in compliance with IEC 60297-3-101/-102/-103 and IEEE 1101.10/1101.11

#### Material/Finish:

Side panels: aluminium 2,5 mm transparent chromated

Module rail: aluminium extrusion transparent chromated

Front / rear bracket: aluminium extrusion transparent chromated

Delivery: kit

### Versions

#### front

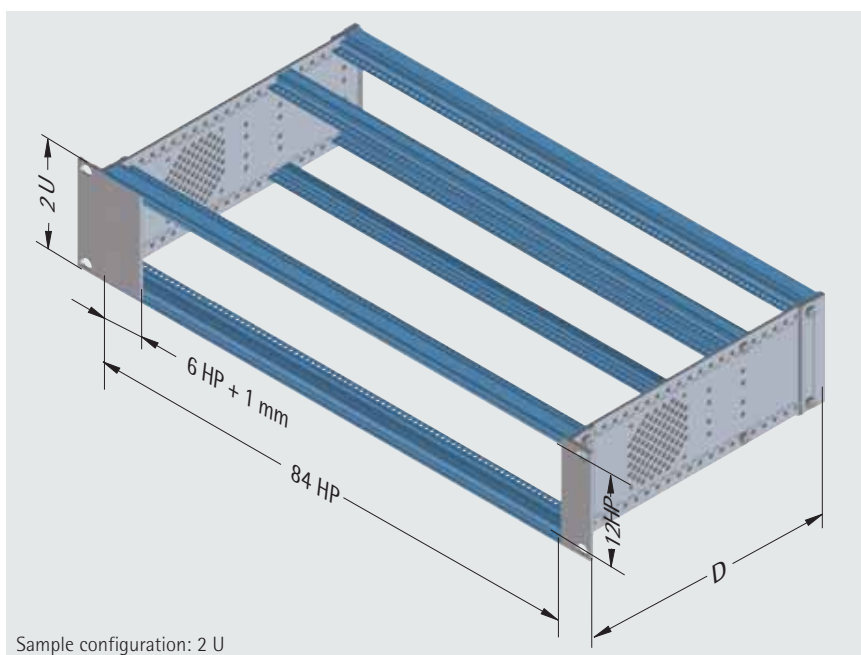
standard module rails 241-022  
threaded inserts, M 2.5

#### middle

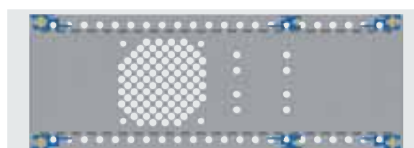
BUS module rails 241-013  
threaded inserts, M 2.5

#### rear

standard module rails 241-022  
threaded inserts, M 2.5



### Included in delivery



Description	Part no.
D=236 mm	24-5212-28
D=296 mm	24-5213-28

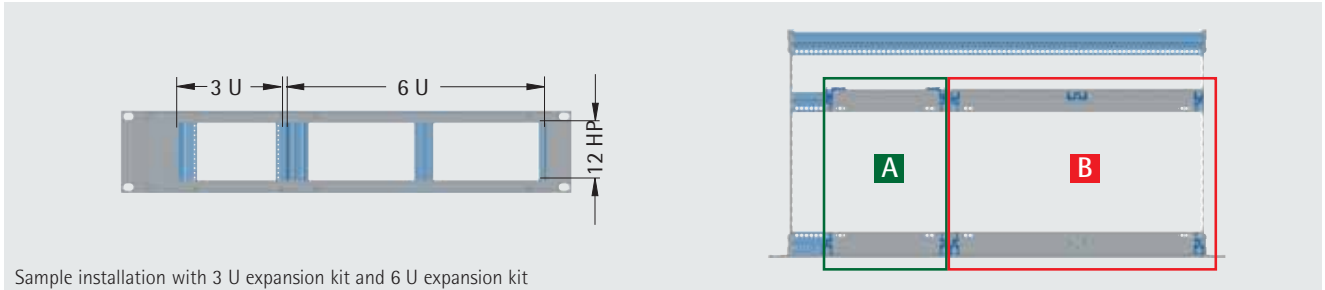
Item	Pc.	Description
1	2	Module rails, front
2	2	Module rails, rear
3	2	Module rails, middle
4	2	Side panels, ventilated
5	1	Front panel 6 HP
6	2	Front bracket
7	2	Rear bracket
8	4	Threaded inserts, M 2.5 7 mm x 2 mm

Item	Pc.	Description
9	2	Threaded inserts, M 2.5 5 mm x 1,5 mm (for rear BUS module rail)
10	12	Oval-head screws M 4 x 12 self-locking
11		Assembly material



Accessories

Expansion kits



Sample installation with 3 U expansion kit and 6 U expansion kit

- for installing Euroboards or double Euroboards horizontally in a 2 U sub-rack
- the following combinations are possible in 84 HP subracks:

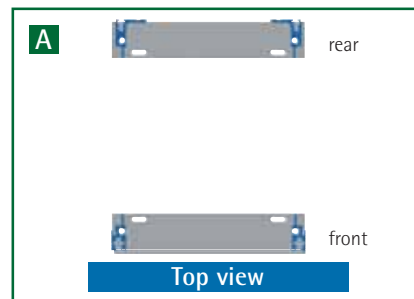
one 3 U expansion kit + one 6 U expansion kit

up to three 3 U expansion kits

**Note:** Horizontal expansion kits for 3 U subracks on p. 38.

Expansion kit, 3 U/12 HP

- for installing Euroboards horizontally



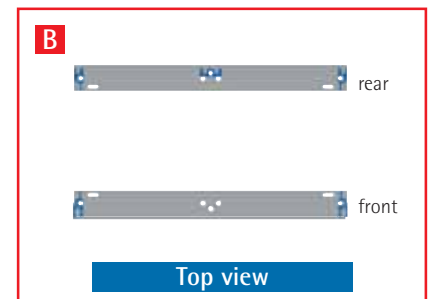
front standard module rails profile no. 241-022

rear narrow module rails with integrated mounting rail for connectors in compliance with DIN 41612, profile no. 241-019

<b>Part no.</b>
24-5312-61

Expansion kit, 6 U/12 HP

- for installing double Euroboards horizontally

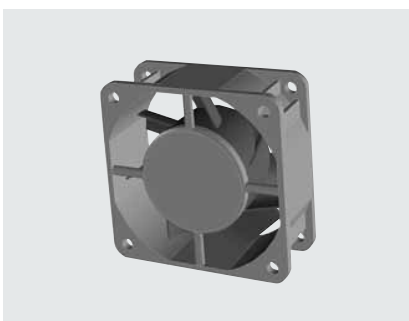


front standard module rails profile no. 241-022

rear BUS module rails profile no. 241-013 and BUS support rail profile no. 241-020

<b>Part no.</b>
24-5612-62

Fan, 12V



- for mounting on side panel
- flow rate: 40m<sup>3</sup>/h
- noise level: 40dB(A)
- assembly material included

<b>Dimensions</b> mm	<b>Part no.</b>
60 x 60 x 25	230-825

Accessories

- Cover panels EMC p. 36
- EMC contact gaskets p. 40
- Card guides p. 44

Suitable components

- Front panels p. 62

**Note:** Other expansion kits available on request.