



## 19" universal plug-in unit

- EMC-compliant basic construction
- suitable for telescopic rails
- multiple dimensions
- can be customised
- sturdy construction
- variable construction due to perforated grid in side panels
- 19" installation dimensions acc. to IEC 297-1
- standard versions or customised versions available



## Specifications

### Application:

all-purpose, sturdy plug-in unit

### Finish:

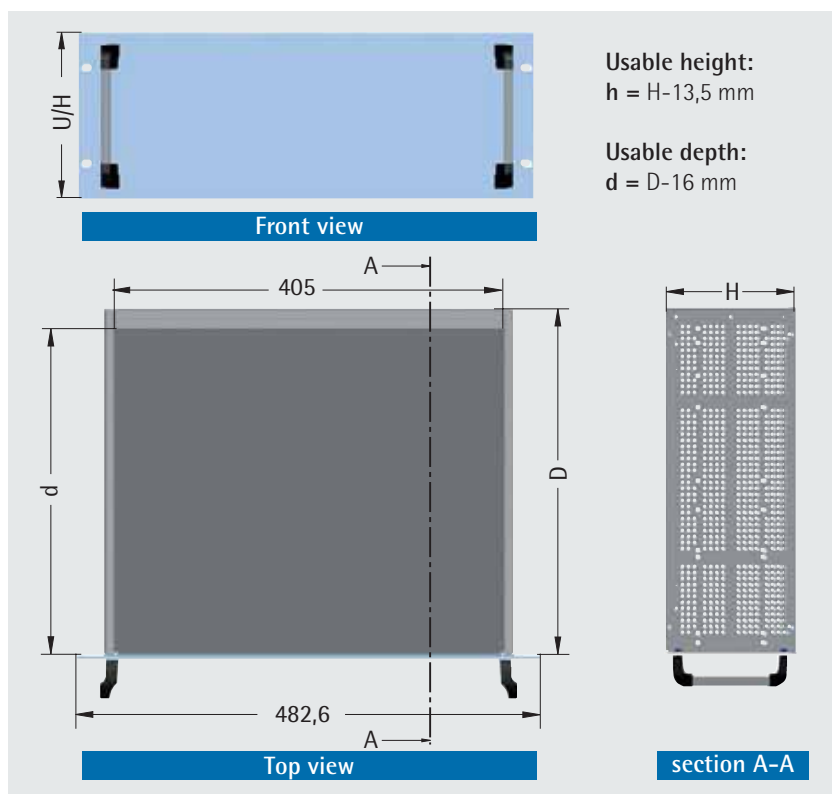
front panel:  
RAL 7035 light grey  
rear panel: chromated  
chassis: galvanised

### Material:

front panel: aluminium 4 mm  
chassis: sheet metal

### Delivery:

not assembled



## Standard version

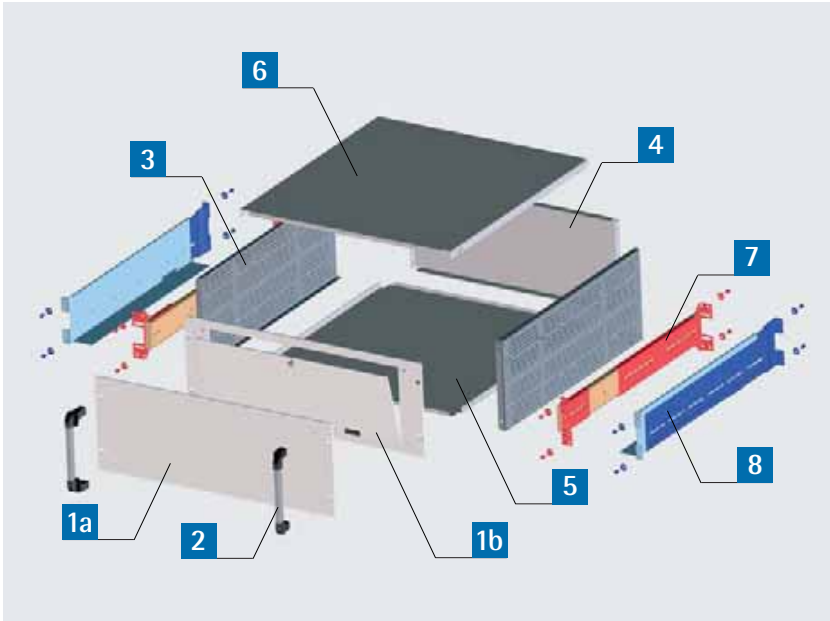
Item	Pc.	Description
1	1	Front panel, 4 mm
2	2	Handles
3	2	Side panels
4	1	Rear panel
5	1	Chassis
6	1	Top panel, solid
7		Assembly material

Height		Part no.		
U	H mm	D=260 mm	D=360 mm	D=460 mm
2	88	20-5026-20	20-5036-20	20-5046-20
3	132,5	20-5026-30	20-5036-30	20-5046-30
4	177	20-5026-40	20-5036-40	20-5046-40
5	221,5	20-5026-50	20-5036-50	20-5046-50
6	266	20-5026-60	20-5036-60	20-5046-60



**Custom configuration:**

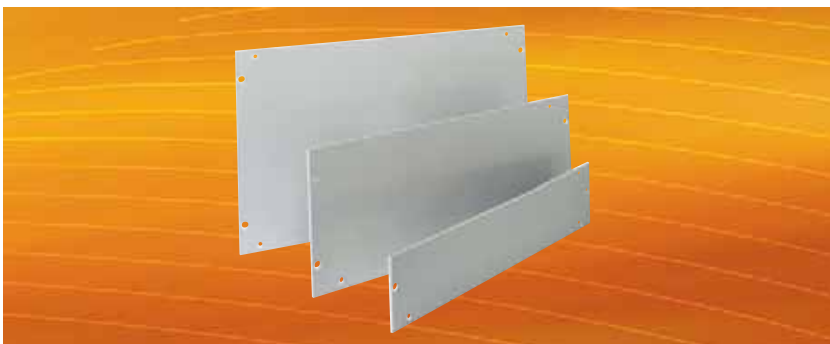
Design your own customised universal plug-in unit.  
Select your required plug-in components step by step.



**Included in delivery**

Item	Description	page
1a	Front panel	94
1b	Fold-up front panel	95
2	Front panel handle	95
3	Side panel	96
4	Rear panel	96
5	Chassis	96
6	Top panel	96
7	Telescopic rail set	97
8	Sliding rail set, adjustable in depth	97
<b>Accessories (without fig.)</b>		
	Screw set M 5 (50-fold)	97
	Screw set "Uni 205"	97

**1a Front panel**



- fits all 19" cabinets and enclosures
- with standardised mounting holes
- with holes for mounting handles and plug-in unit side walls
- customised front panels with printing, stamping and embossing available on request
- Internet front panel service
- 19" installation dimensions acc. to IEC 297-1

In order to keep your efforts reduced to the minimum, apra-norm offers the **front panel design center as download** at [www.apra.de](http://www.apra.de)

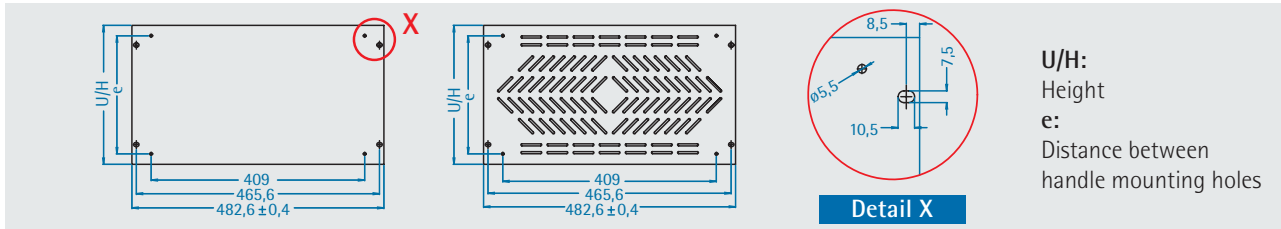
**1** Download the simple .dxf CAD-file of your desired front panel size to your computer. Then draw your required holes, threads, bolts, threads and cut-outs into the downloaded drawing and send the **file in .dxf format by mail to [vertrieb@apranorm.apra.de](mailto:vertrieb@apranorm.apra.de)**  
Alternatively you can still email us your existing specifications for your front panels as CAD-files in DXF, DWG, MI, IGS, STP or SAT format.

**2** Supplementing **print files for silkscreen printing as vector graphic files in DXF, DWG, PDF, AI, FH or CDR** can be attached. Please tell us exactly your specifications of the colours for printing and coating.

**3** You will receive shortly our offer including lead times for your required quantities.  
**It couldn't be easier or faster!**



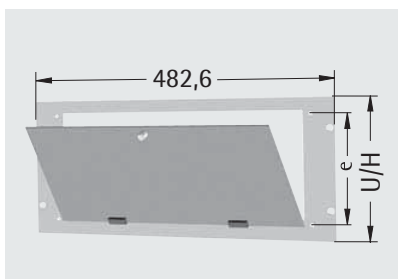
## Specifications



## Order information

Material			AlMg1 - EQ; 2,5 mm				AlMg1 - EQ; 4 mm	
Edges			cut edges				cut edges	milled edges
Finish (front panel/rear panel)			painting RAL 7035 light grey	painting RAL 7035 light grey	untreated (can be anodised), with protective film	untreated (can be anodised), with protective film	painting RAL 7035 light grey chromated	untreated (can be anodised), with protective film
			chromated	chromated				
Height U	H mm	e	ventilated	solid	ventilated	solid	solid	solid
			2	88	72	20-5002-52	20-5002-42	20-5002-12
3	132,5	92,5	20-5002-53	20-5002-43	20-5002-13	20-5002-03	20-5000-43	20-5000-03
4	177	137	20-5002-54	20-5002-44	20-5002-14	20-5002-04	20-5000-44	20-5000-04
5	221,5	181,5	20-5002-55	20-5002-45	20-5002-15	20-5002-05	20-5000-45	20-5000-05
6	266	226	20-5002-56	20-5002-46	20-5002-16	20-5002-06	20-5000-46	20-5000-06

## 1b Fold-up front panel




- with quick-release lock
  - with handle mounting holes
- Material:** aluminium

**Finish:**  
RAL 7035 light grey  
chromated rear side

U	Height		Distance between holes e mm	Part no.
	H mm			
3	132,5		92,5	20-5002-73
4	177		137	20-5002-74
5	221,5		181,5	20-5002-75
6	266		226	20-5002-76

## 2 Front panel handle

Size U	Distance between holes e mm	apra handle (1 piece) (2 plastic pieces with Al extrusion)		steel handle (1 piece) chrome plated	
		2	72		61-1302-00
3	92,5		61-1303-00		610-003
4	137		61-1304-00		610-004
5	181,5		61-1305-00		610-005
6	226		61-1306-00		610-006
Assembly material		Matching screws, M5 x 12 DIN 7985 • for use with apra and steel handles		Matching decorative washers • for use with steel handle only	
		630-097 (100 pieces)		chrome plated black	610-092 (100 pieces) 610-094 (100 pieces)



### 3 Side panel

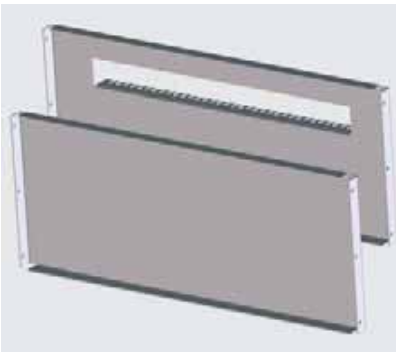


- with mounting grid for various assembly possibilities, for example chassis panel

**Material:** sheet metal, galvanised

Height U	Part no. (1 piece)			
	D = 260 mm	D = 360 mm	D = 460 mm	D = 560 mm
2	20-5026-22	20-5036-22	20-5046-22	20-5056-22
3	20-5026-32	20-5036-32	20-5046-32	20-5056-32
4	20-5026-42	20-5036-42	20-5046-42	20-5056-42
5	20-5026-52	20-5036-52	20-5046-52	20-5056-52
6	20-5026-62	20-5036-62	20-5046-62	20-5056-62

### 4 Rear panel



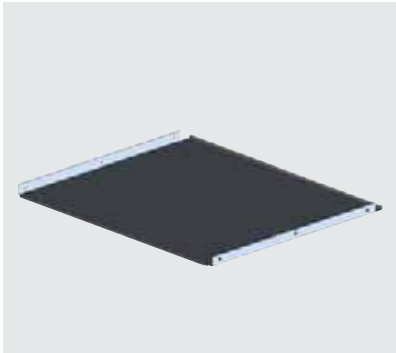
- can be mounted at different depths in the plug-in unit, if no chassis panel **5** is used
- can be customised to your needs
- can also be installed horizontally as a shelf
- available: solid or with cable clamping

**Material:** sheet metal, galvanised

#### Order information

Size U	Part no.	
	solid	with cable clamping
2	20-5056-02	-
3	20-5056-03	-
4	20-5056-04	20-5056-14
5	20-5056-05	-
6	20-5056-06	20-5056-16

### 5 Chassis panel



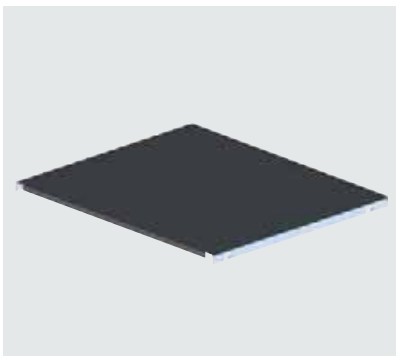
- can be installed at different heights
- can be customised to your needs
- assembly material included

**Material:** sheet metal, galvanised

#### Order information

Depth D mm	Part no.	
	ventilated	solid
260	20-5026-35	20-5026-33
360	20-5036-35	20-5036-33
460	20-5046-35	20-5046-33
560	20-5056-35	20-5056-33

### 6 Top panel/bottom panel



- ventilated/solid
- can be used as a top or bottom panel

**Material:** sheet metal, galvanised

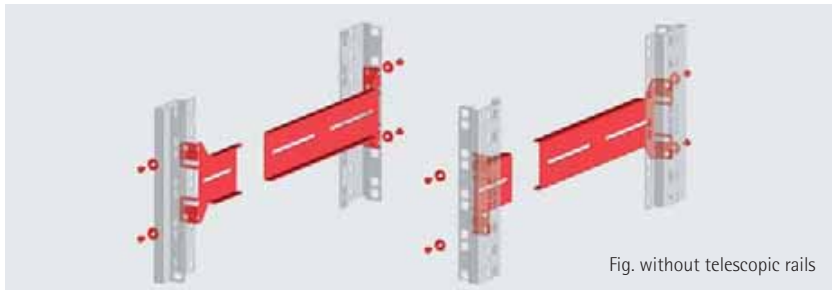
#### Order information

Depth D mm	Part no.	
	ventilated	solid
260	20-5026-36	20-5026-34
360	20-5036-36	20-5036-34
460	20-5046-36	20-5046-34
560	20-5056-36	20-5056-34



Accessories

**7** Telescopic rail set

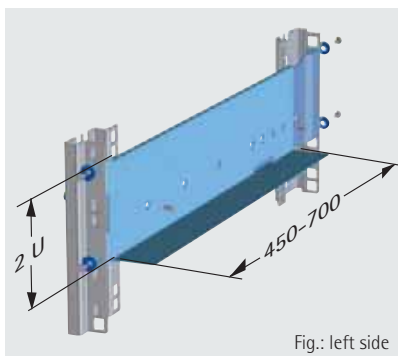


- with apra fix assembly system
- high-quality telescopic rails
- ideal for installation in 600 to 800 mm deep cabinets with rear 19" mount
- includes 2 telescopic rails and assembly material

Order information

Description	Features	D = 260 mm	D = 360 mm	D = 460 mm	D = 560 mm
Set with telescopic rails type 0204	<b>Partial extender</b> can be locked when pulled out, detachable cost-effective Load capacity: 51-59 kg	68-0077-00	68-0077-00	68-0078-00	68-0079-00
Set with telescopic rails type 3307	<b>100% extension</b> can be locked when pulled out, detachable Load capacity: 64-66 kg	68-0075-00	68-0075-00	68-0075-00	68-0076-00

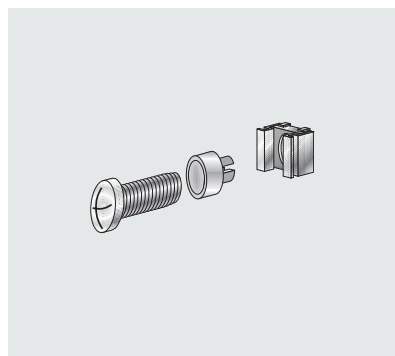
**8** Sliding rail set, adjustable depth



- with patented 19" assembly system
- ideal for installation in 600 mm to 800 mm deep cabinets
- assembly material included
- extractable from 450 mm to 700 mm

Load capacity: 60 kg

M5 screw set



- required for installing 19" components in cabinets or enclosures

Included in delivery:

- 50 screws, M5 x 12
- 50 captive nuts, M4-8
- 50 decorative washers, M5 with collar

"Uni 205" screw set

- includes all screws necessary for assembling an entire universal plug-in unit

Included in delivery

Pc.	Description
4	screws M 5 x 12
14	screws M 4 x 8
10	captive nuts M 4

Part no. (Set)
630-405

Brush seal

- suitable for rear panel with cable clamping **4**

Part no. (Set)
20-5200-00

Part no. (Set)
630-991

Part no.
67-1040-10