



Enclosure for control cabinets

- applicable as wall or desk enclosure

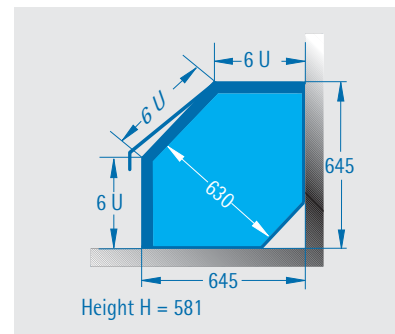


Control cabinet for industrial applications



Wall mounting enclosure for controlling

- optimal use of space in room corners, production halls, offices and workshops
- optimal accessibility due to an extractable 19" frame





## Standard cabinet combination

- based on the Vari 500 enclosure system



Mobile server cabinet  
Depth 900 mm



## VARI 2000

- 19" or 10" frame
- pivoted mounting plate